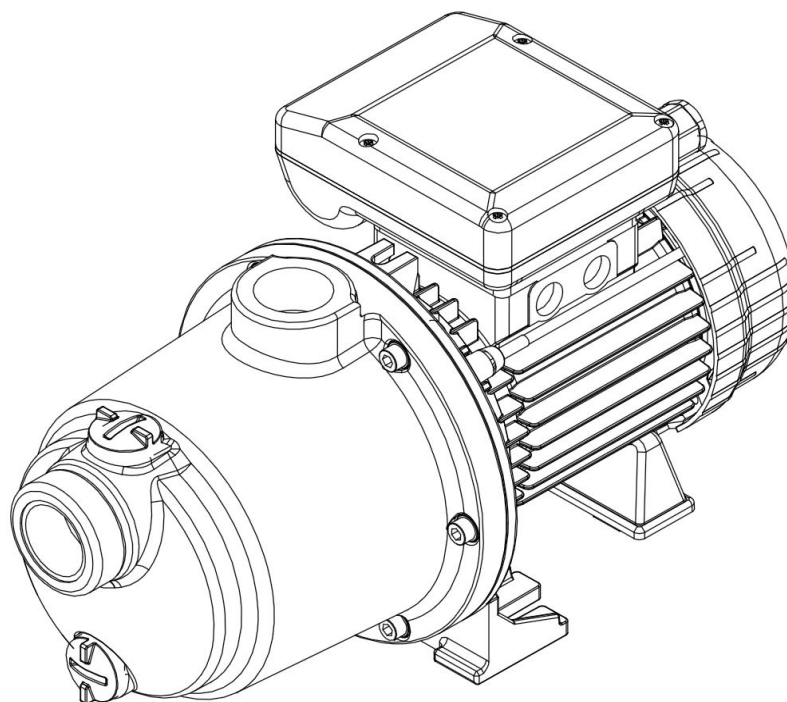




BLUEFLO® LITE

BOOSTER PUMP FOR PRESSURE SIDE CLEANERS

**INSTALLATION GUIDE / INSTALLATIEHANDLEIDING  
BEDIENUNGSANLEITUNG / GUIDE D'INSTALLATION  
GUIA DE INSTALACION / GUIDE ALL'INSTALLAZIONE**



English  
2

Deutsch  
6

Nederlands  
16

Français  
23

Español  
30

Italiano  
37

IMPORTANT SAFETY INSTRUCTIONS READ AND FOLLOW ALL INSTRUCTIONS SAVE THESE INSTRUCTIONS

## Customer Support

HERENTALS, BELGIUM (8:30 A.M. to 4:30 P.M.) CET

Website : [www.pentairpooleurope.com](http://www.pentairpooleurope.com)

E-mail : [poolemea@pentair.com](mailto:poolemea@pentair.com)

The manufacturer, Pentair, has the right to modify the products without previous notice for as far as the characteristics are not really changed by this.

© 2016 Pentair, Inc. All rights reserved. This document is subject to change without notice.

Trademarks and disclaimers: All Pentair trademarks and logos are owned by Pentair, Inc. BlueFlo® and Pentair Aquatic Systems™ are trademarks of Pentair Inc. and/or its affiliated companies in the United States and/or other countries. Unless expressly noted, names and brands of third parties that may be used in this document are not used to indicate an affiliation or endorsement between the owners of these names and brands and Pentair Inc. Those names and brands may be the trademarks or registered trademarks of those third parties.

**⚠ DANGER** Failure to follow the instructions in this manual may result in serious adverse health effects, or even serious or fatal injury. Failure to follow the instructions in this manual will in all cases invalidate all guarantees and liability on the part of the manufacturer. **INSTALLERS, OPERATORS AND OWNERS MUST READ THESE WARNINGS AND ALL INSTRUCTIONS IN THE OWNER'S MANUAL BEFORE USING THIS PUMP. THESE WARNINGS AND THE OWNER'S MANUAL MUST BE LEFT WITH THE HOME OWNER.**

## IMPORTANT WARNING AND SAFETY INSTRUCTIONS




### Important Notice:

**⚠ WARNING** **Attention Installer:** This guide contains important information about the installation, operation and safe use of this product. This information should be given to the owner and/or operator of this equipment after installation of the pump.

**Attention User:** This manual contains important information that will help you in operating and maintaining this pump. Please retain it for future reference. Consult Pentair with any questions regarding this equipment.

Before installing this product, read and follow all warning notices and instructions which are included. Failure to follow safety warnings and instructions can result in severe injury, death, or property damage. Visit [www.pentairpooleurope.com](http://www.pentairpooleurope.com) for additional free copies of these instructions.

### Consumer Information and Safety

This pump is designed and manufactured to provide many years of safe and reliable service when installed, operated and maintained according to the information in this manual. Throughout the manual, safety warnings and cautions are identified by the  symbol. Be sure to read and comply with all of the warnings and cautions.

**⚠ WARNING** To reduce the risk of injury, do not permit children to use this product. Service should only be executed by a qualified service professional.

A thorough knowledge of the basic safety instructions is an essential requirement for the safe use and trouble-free operation of this product. The legal accident prevention regulations prevailing at the point of installation, and the accepted specialist, technical rules for safe and proper working must also be followed at all times.

Failure to follow the safety instructions may result in serious adverse health effects, or even serious or fatal injury. Failure to follow the safety instructions will in all cases invalidate all guarantees and liability on the part of the manufacturer.

Failure to follow the safety instructions may lead to the following dangers:

- Failure of important functions of the swimming pool and/or other equipment
- Failure of the prescribed maintenance measures
- Danger to persons due to electrical, mechanical or chemical effects
- Danger to the environment due to the leakage of dangerous materials
- Damage to equipment and building works

## BASIC SAFETY REQUIREMENTS - CONTINUED

The pumps comply with the basic health and safety requirements of the EU. However, dangerous situations may still occur. The pumps must only be used and operated when in proper operating condition and in accordance with these operating instructions. Any faults which might tend to impair safety must be rectified immediately.

- The product must not be used for any other purpose than that specified by the manufacturer. This may cause unforeseeable risks.
- Local work and safety regulations and laws must be followed at all times. The same applies for environmental regulations.
- If any faults or dangers are identified, personnel must inform the operator or his representative immediately.
- Safety devices must never be removed or bypassed during normal operation of the product.
- If safety devices have to be removed or dismantled during maintenance or repair work, they must be refitted and tested immediately on completion of the maintenance or repair work.
- Work on technical equipment (e.g. electricians) may only be carried out by qualified, specialist personnel.
- Take special care when working with electric motors. They become hot during operation. Allow motor to cool down before starting repair work. If this is not possible, take suitable precautions, e.g. wear protective gloves.
- Personnel undergoing training or instruction may only work on the pumps under the continual supervision of an experienced person.
- All safety instructions and warnings on the product must be kept in a clearly legible condition at all times.
- Hot parts must not be allowed to come into contact with explosives or highly flammable chemicals.

### Safety Devices and Regulations

Protective devices may only be removed or deactivated by suitable authorized persons, and only when this is absolutely necessary for the performance of specific work. Protective devices must be reactivated and tested immediately.

Work on electrical components must be carried out by a qualified electrician in accordance with accepted technical practices. The operating instructions provided by the motor manufacturer (if applicable) must be followed at all times. The electrical equipment of the pump must be inspected and checked regularly. Faults such as loose connections or damaged cables must be corrected immediately.

### Limited Warranty Terms & Conditions

Before installing your BLUEFLO® LITE, review and understand all warnings, safety and warranty information in this guide. Failure to follow these instructions or improper installation of the cleaner can result in damage to the pool finish or the vinyl liner, Pentair Aquatic Systems disclaims any liability for repairs or replacement to any of these structures or components of the customer's pool.

Limited Warranty : 2 years

Further details : [www.pentairpooleurope.com](http://www.pentairpooleurope.com)

### Disclaimer of Liability - About your Pool and equipment

There are a multitude of factors that contribute to the life of your pool.

Please be aware that over time, deterioration, discoloration and brittleness of any pool finish can be caused separately by, or in combination with, age, an imbalance in pool water chemistry, improper installation and other factors.

The same situation holds true for vinyl-lined in-ground swimming pools, because vinyl liners are also affected by the environment and factors such as pool water chemistry, sunlight and the pool's surroundings. Therefore over time, vinyl can become brittle and weak. In addition, vinyl-lined pools are affected by the workmanship, composition and installation of the liner and the workmanship and quality of construction of the supporting walls and pool base. These are all factors which can contribute to liner failure. The manufacturer disclaims any liability for repairs or replacement to any of these structures or components of the customer's pool.

The pool owner must assume all responsibility for the condition and maintenance of the pool's surface, water and deck.

Before the BLUEFLO® LITE is installed, please take a moment to record the serial number. You will be asked for this number when you contact our Technical Support Department.

SERIAL # \_\_\_\_\_

## PROPER USE

The product is designed for the pumping of clear or slightly cloudy water in swimming pool applications. In case of other media or applications, the exact usage specification must be discussed with the manufacturer.

The product must only be used as specified in these instructions. Any other form of use constitutes improper use. In this case, the manufacturer accepts no liability for any resulting damages.

The product has been designed and constructed to the latest state of technology, and is completely safe and reliable if used in accordance with these operating instructions and any other specific system or operating requirements.

Nevertheless, their use may still give rise to danger to life and limb of the operator or other persons, or damage to the product or other equipment.

Modifications to the product is possible in certain cases. In such cases, advance, written approval must be obtained from the manufacturer.

### **The manufacturer accepts no responsibility in the following cases:**

- Failure to observe the information in these operating instructions
- Use of spare parts or components not approved by the manufacturer
- Incorrect operation
- Removal, modification or deactivation of safety devices
- Improper performance of maintenance work

### **Improper Use**

The product may cause danger if used improperly or not for their intended purpose.

***Under no circumstances must the pump be used for aggressive fluids, inflammable fluids, toxic fluids or other unapproved solutions.***

***Do not use the pump if people are in the swimming pool.***

## TRANSPORT/WINTERIZING

The complete delivery should be checked immediately on arrival for completeness and any possible transport damage. Complaints will only be accepted if they are reported to the shipper or manufacturer on the day of delivery.

The packaging materials should be reused if possible, or disposed of in accordance with local regulations.

### **Storage / Winterizing**

**⚠ WARNING** Extended intermediate storage in an environment with high air humidity and changing temperatures should be avoided. Condensation may damage the motor windings and other metallic parts. This will invalidate the guarantee. The pump may also be damaged if exposed to frost. This will also invalidate the guarantee. Anti-freeze must not be used, since this can cause damage to plastic parts.

In the event of risk of frost, the pump should be drained thoroughly. To do this, open the drain plug and allow water to drain out of the pump. Also tip the pump upside down to drain any additional water from discharge port of the pump. The piping system should also be emptied completely of water.

Check all water pipe connections when re-installing the pump after the winter or extended storage periods. Open the shut-off valves in the suction and pressure lines. Close all drain valves in the system and on the pump. Start the pump in accordance with the instructions given in the Installation section of this manual.

# INSTALLATION

This section describes the procedure for the installation and starting of the pump. It describes how the work must be carried out and features requiring special attention.

The installation and starting of the pump may be carried out only by suitable approved personnel.

## GENERAL

The pump should preferably be installed on a concrete surface and screwed into place using the holes of the base. The pump must be installed in a dry location. If the pump is installed in a damp location, adequate ventilation must be ensured to prevent the formation of condensation. Adequate ventilation must always be ensured to allow proper operation of motor.

Sufficient space should be allowed for the installation and maintenance of the pump. Note the pump dimensions and allow at least 25cm free space around the unit.

The pump should be installed as close as possible to the pool for maximum performance. Ensure that the installation meets local regulations for proper installation.

Short, straight pipes should be used wherever possible to avoid frictional losses.

## POWER SUPPLY

Electric power supply should have the following characteristics:

- Offer a differential protection.
- Offer voltage and frequency values compliant with the values indicated on the motor nameplate.
- Offer a power not below the value indicated on the motor nameplate.
- Be equipped with an appropriate thermal protection.
- Be equipped with a thermal relay adjusted according to the actual current absorbed.
- Be equipped with a cut-off switch with protective fuses.
- Be equipped with cables with a section suitable to the power absorbed by the motor.

**⚠ WARNING** Sufficient equipotential bonding (min. 4.5mm<sup>2</sup> recommended), in accordance with local regulation, is required on all metal components of the pool including the pool pump. It is required for electrical safety as well as to reduce the risk of corrosion.

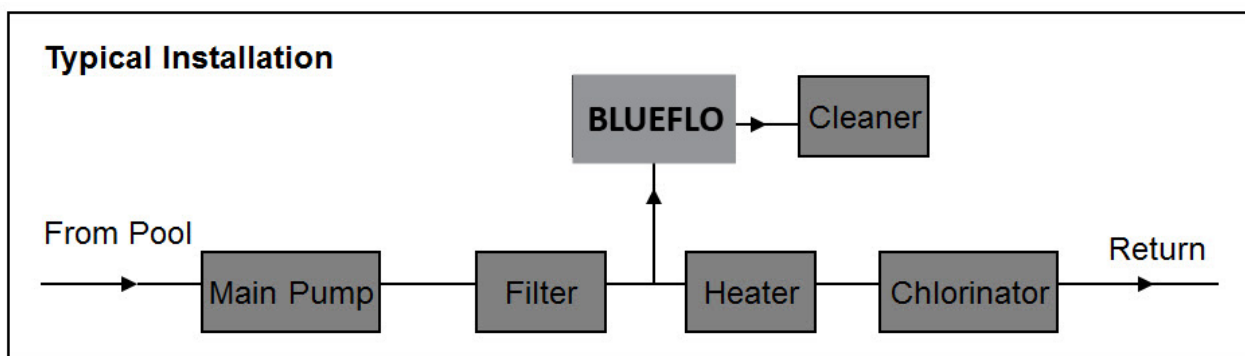
## INSTALLATION

**⚠ DANGER** All installation operations should be performed while the electropump is disconnected from the main power.

**⚠ WARNING** Do not install the machine in environments containing gases and/or inflammable or explosive materials.

**⚠ DANGER** Electropumps are designed so that all the moving parts are rendered inoffensive by means of protections. Do not use the electropump if these protections have been removed or are damaged, since this could cause serious accidents to people.

**⚠ DANGER** The machine supply line should always have a differential circuit breaker.



## PLUMBING CONNECTIONS

Care must be taken to ensure that no leaks occur following installation of connections

If the inlet and outlet pipes are connected directly to the pump, only use Teflon sealing tape to ensure a good seal.

If screw fittings are used, these must not be sealed by sealing compounds. Screw fittings seal with the aid of an O-ring and need only be tightened hand-tight.

The pump inlet and outlet thread connections are equipped with a thread stop. The connecting fitting cannot be forced beyond this point.

***Do NOT over-tighten connection points. Hand-tight plus no more than 2 turns should be sufficient.***

The piping installation should be started at the pump in order to avoid stresses to the pump housing – when possible. Air pockets can be avoided by installing the suction line at a slight incline toward the pump. A straight pipe of at least 50cm in length should be installed to the suction connection.

## ELECTRICAL CONNECTIONS

This must be done by a certified Electrician. A separator must be installed in the electrical system which allows disconnection from the power supply with a contact opening gap for each pole of at least 3 mm. The manufacturer accepts no liability for damage to the motor that can be prevented by the installation of an external protection switch. Please use the electrical data from the motor nameplate for any electrical system sizing. Otherwise, all guarantee claims are invalid in the event of damage to the motor and/or pump.

**⚠ WARNING** The product must be grounded.

In case of intervention by this safety device as a result of overheating, disconnect from the power supply and leave the motor to cool until it reaches an acceptable temperature. Before re-using the pump, check to verify the reasons which caused the motor to overheat.

Check to ensure that certified cables are used in accordance with current regulations, with three cross-sections (2 + earth) of at least 0.75 mm<sup>2</sup>, with a maximum length of 2 m for the cable. If the cable is longer, the cross-section must be increased in a suitable manner pursuant to currently applicable regulations.

## CONNECTION TO THE MAIN

**⚠ DANGER** The installer will have to make sure that the electric supply system has an adequate grounding compliant with the laws in force.

**⚠ DANGER** Check that the supply system has a differential switch with a degree of sensitivity of  $I_{\Delta n} = 30$  mA (EN 61008-1 / EN 61009-1).

**⚠ DANGER** Before removing the cover from the terminal block of the motor and before performing operations on the machine, make sure that the supply line has been cut-off.

### To connect the machine to the mains, perform the operations described here below:

- Make sure that the motor is suitable to the mains voltage and frequency.
- Cut the electric system off by using a cut-off switch.
- Check to ensure that certified cables are used in accordance with current regulations, with three cross-sections (2 + earth) of at least 0.75 mm<sup>2</sup>, with a maximum length of 5 m for the cable. If the cable is longer, the cross-section must be increased in a suitable manner pursuant to currently applicable regulations.

### The following must be used as a conductor for the connection:

- Outdoors → cable H07RN-F
- In inside areas → cable H05RN-F or H07RN-F
- For ambient temperatures of 40° to 50°C, supply cables with temperature characteristics of at least 95°C and minimum wire gauge of 1.5mm<sup>2</sup> must be used.
- The pump has built-in , automatic reset thermoamperometric protection. (single phase only)
- The electrical power line must be fitted with a short circuit protection device, and a residual current device (RCD) with high sensitivity (30mA), protected by means of a slow-acting fuse or a magnetothermic switch.

Installations and modifications should only be executed by a qualified electrician.

Wiring / connection diagram can be found at the end of this owners manual under section 'TECHNICAL DATA'

Check to ensure that certified cables are used in accordance with current regulations, with three cross-sections (2 + earth) of at least 0.75 mm<sup>2</sup>, with a maximum length of 2 m for the cable. If the cable is longer, the cross-section must be increased in a suitable manner pursuant to currently applicable regulations.

## OPERATION

**Never allow the pump to run dry (without water).** This will cause damage to the shaft seal and internal plastic components.

### STARTING THE PUMP

In a flooded suction type application (pump below water level or in-line with primary pump), the pump starts as soon as the shut-off valves in the inlet are opened.

In non-flooded applications, the pump must be primed by adding water within the suction piping and pump cavity.

The pump starts working after switching on. The suction action time depends on the suction height and the length of the suction line.

If the pump does not work, check that all shut-off valves are open and that there are no leaks in the suction line where air can enter the water line preventing activation.

---

## MAINTENANCE

Regular maintenance, cleaning and inspection of the pumps is extremely important. This will reduce problems and increase operating safety and reliability.

### MAINTENANCE

Maintenance of the product should be carried out only by specially qualified personnel.

Before starting the pump after extended non-use or when restarting in the spring, it is advisable to turn the motor shaft, with the pump switched off and the pump full of water, by means of the motor fan using a screwdriver. This will free the shaft seal and make starting the pump easier.

### REPLACEMENT PARTS [www.pentairpooleurope.com](http://www.pentairpooleurope.com)

Replacement parts must conform to the technical requirements specified by the manufacturer. This is always guaranteed when using original replacement parts. We only offer a guarantee for original replacement parts supplied by us. We accept no liability or guarantee in the event of damage caused by the use of unauthorized replacement parts or accessories.



Only for EU countries

Do not dispose of electric tools together with household waste material!

In observance of European Directive 2002/96/EC on waste electrical and electronic equipment and its implementation in accordance with national law, electric tools that have reached the end of their life must be collected separately and returned to an environmentally compatible recycling facility.

## TROUBLESHOOTING

PUMP WILL NOT PRIME	Insufficient water in pump casing
	Primary pump not providing water
	Incoming valve closed
	Air leak in suction line
MOTOR DOES NOT OPERATE	Power is off
	Circuit breaker has tripped
	Pump is off by time controlled unit
	Motor connection is incorrect
	Impeller is blocked by debris
LOW FLOW - HIGH FILTER PRESSURE	Filter is dirty
	Restriction in return line
LOW FLOW - LOW FILTER PRESSURE	Inlet plumbing is blocked
	Impeller is blocked by debris
	Air leak in suction line
	Motor rotation is incorrect
NOISY PUMP	Air leak in suction line
	Debris in plumbing lines or pump housing
	Diameter of suction line is too small
	Incorrect pump installation
	Cavitation (restriction of water)
HEATING OF MOTOR	Insufficient ventilation of motor
	Size of wiring is too small



## Kundendienst

HERENTALS, BELGIEN (08:30 Uhr bis 16:30 Uhr) MEZ

Website: [www.pentairpooleurope.com](http://www.pentairpooleurope.com)

E-Mail: [poolemea@pentair.com](mailto:poolemea@pentair.com)

Der Hersteller Pentair behält sich das Recht vor, Produkte ohne vorherige Ankündigung soweit zu ändern, als deren Merkmale dadurch nicht maßgeblich verändert werden.

© 2016 Pentair, Inc. Alle Rechte vorbehalten. Änderungen an diesem Dokument sind vorbehalten.

Handelsmarken und Haftungsausschluss: Pentair, Inc. ist Inhaberin aller Pentair-Handelsmarken und Logos. BlueFlo® und Pentair Aquatic Systems™ sind Handelsmarken von Pentair Inc. und/oder den verbundenen Unternehmen in den USA und/oder in anderen Ländern. Soweit nicht anders angegeben, dienen eventuell in diesem Dokument benutzte Namen und Marken anderer Unternehmen nicht zur Angabe einer Zugehörigkeit oder sonstigen Verbindung zwischen den Eigentümern dieser Namen und Marken und Pentair Inc. Bei diesen Namen und Marken kann es sich um Warenzeichen oder eingetragene Warenzeichen dieser anderen Unternehmen handeln.

**⚠ DANGER** Die Nichtbeachtung der Sicherheitsanweisungen kann zu ernstesten Gesundheitsschäden oder sogar zu schweren oder tödlichen Verletzungen führen. Die Nichtbeachtung der Anweisungen in diesem Handbuch führt in jedem Fall zum Erlöschen aller Garantien und jeglicher Haftung seitens des Herstellers. MONTEURE, SCHWIMMBADBETREIBER UND -BESITZER MÜSSEN DIESE WARNHINWEISE UND ALLE ANWEISUNGEN IM HANDBUCH LESEN, BEVOR SIE DIESE PUMPE BENUTZEN. DIESE WARNHINWEISE UND DAS HANDBUCH MÜSSEN BEIM HAUSBESITZER VERBLEIBEN.

## WICHTIGE WARNHINWEISE UND SICHERHEITSAUFRUF



### Wichtiger Hinweis:



**Achtung Installateur:** Diese Anleitung enthält wichtige Informationen zur Montage, zum Betrieb und zur sicheren Benutzung dieses Produkts. Diese Unterlagen müssen nach der Installation der Pumpe an den Besitzer und/oder den Betreiber dieser Pumpe weitergegeben werden.

**Achtung Benutzer:** Dieses Handbuch enthält wichtige Informationen für den Betrieb und die Wartung dieser Pumpe. Bitte bewahren Sie es für zukünftige Einsichtnahme auf. Wenden Sie sich an Pentair, wenn Sie Fragen zu diesem Gerät haben.

Lesen und befolgen Sie alle in diesem Handbuch enthaltenen Warnhinweise und Anweisungen, bevor Sie das Produkt installieren. Bei Nichtbefolgung der Sicherheitswarnhinweise und -anweisungen kann es zu schweren Verletzungen, zum Tod oder zu Sachschäden kommen. Zusätzliche kostenlose Versionen dieser Anweisungen erhalten Sie unter [www.pentairpooleurope.com](http://www.pentairpooleurope.com).

### Konsumenteninformation und Sicherheit

Diese Pumpe wurde so entworfen und hergestellt, dass sie viele Jahre sicher und zuverlässig in Betrieb ist, wenn sie gemäß den Anweisungen in diesem Handbuch installiert, betrieben und gewartet wird. Im gesamten Handbuch sind Sicherheitswarnungen und -hinweise durch das Symbol "⚠" gekennzeichnet. Alle diese Warnungen und Hinweise müssen beachtet und eingehalten werden.



Um die Verletzungsgefahr zu verringern, dürfen Kinder dieses Produkt nicht benutzen. Wartungsarbeiten sind einem qualifizierten Wartungstechniker vorbehalten.

Eine gründliche Kenntnis der grundlegenden Sicherheitsanweisungen ist eine wesentliche Anforderung für den sicheren Gebrauch und problemlosen Betrieb dieses Produkts. Die zum Installationszeitpunkt geltenden gesetzlichen Unfallverhütungsvorschriften und die anerkannten fachlichen und technischen Regeln für eine sichere und ordnungsgemäße Arbeit müssen auch jederzeit befolgt werden.

**Eine Nichtbeachtung der Sicherheitsanweisungen kann zu schweren negativen Auswirkungen auf die Gesundheit oder sogar zu schweren oder tödlichen Verletzungen führen. Eine Nichtbeachtung der Sicherheitsanweisungen macht in jedem Fall alle Garantien und Haftbarkeiten des Herstellers ungültig.**

Eine Nichtbefolgung der Sicherheitsanweisungen kann zu folgenden Gefahren führen:

- Ausfall wichtiger Funktionen des Swimmingpools und/oder weiterer Ausrüstungsgegenstände
- Versagen der vorgeschriebenen Wartungsmaßnahmen
- Gefährdung von Personen durch elektrische, mechanische oder chemische Wirkungen
- Gefährdung der Umwelt durch Leckage gefährlicher Materialien
- Beschädigung der Ausrüstung und Bauarbeiten

## GRUNDLEGENDE SICHERHEITSANFORDERUNGEN

Die Pumpe erfüllt die grundlegenden Gesundheits- und Sicherheitsanforderungen der EU. Gefährliche Situationen lassen sich jedoch nicht ausschließen.

Die Pumpen dürfen nur in gutem Betriebszustand und in Einklang mit dieser Bedienungsanleitung verwendet und betrieben werden. Alle Fehler, welche die Sicherheit beeinträchtigen könnten, müssen sofort behoben werden.

- Um Sicherheit zu gewährleisten, müssen alle Personen, die in Kontakt mit dem Produkt kommen, den Inhalt dieser Bedienungsanleitung kennen. Nur so können die auftretenden Risiken auf ein Minimum reduziert werden.
- Das Produkt darf zu keinem anderen Zweck als dem durch den Hersteller spezifizierten verwendet werden. Ansonsten können unvorhersehbare Risiken auftreten.
- Die lokalen Arbeits- und Sicherheitsvorschriften und -gesetze müssen jederzeit befolgt werden. Dies gilt auch für Umweltregelungen.
- Wenn Fehler oder Gefahren entdeckt werden, muss das Personal die Bedienperson oder ihren Vertreter unverzüglich in Kenntnis setzen.
- Während des normalen Betriebs des Produkts dürfen die Sicherheitsvorrichtungen nie entfernt oder umgangen werden.
- Wenn bei Wartungs- oder Reparaturarbeiten Sicherheitsvorrichtungen entfernt oder demontiert werden müssen, müssen sie sofort bei Fertigstellung der Wartungs- oder Reparaturarbeiten wieder eingebaut und getestet werden.
- Arbeiten an der technischen Ausstattung (z. B. Elektrik) dürfen nur durch qualifizierte Fachkräfte vorgenommen werden.
- Bei der Arbeit mit Elektromotoren ist besondere Vorsicht geboten. Sie werden während des Betriebs heiß. Den Motor abkühlen lassen, bevor Sie mit den Reparaturarbeiten beginnen. Wenn das nicht möglich ist, ergreifen Sie geeignete Vorsichtsmaßnahmen, z. B. Schutzhandschuhe tragen.
- Personen, die sich in Schulung oder Einarbeitung befinden, dürfen an der Pumpe nur unter der andauernden Überwachung einer erfahrenen Person arbeiten.
- Alle Sicherheitsanweisungen und Warnungen auf dem Produkt müssen jederzeit in deutlich lesbarem Zustand gehalten werden.
- Heiße Teile dürfen nicht mit explosiven oder leicht entzündbaren Chemikalien in Kontakt kommen.

### Sicherheitsvorrichtungen und -vorschriften

Dieser Abschnitt beschreibt alle Sicherheitsvorrichtungen des Produkts:

Alle Sicherheitsvorrichtungen müssen jederzeit in gutem Betriebszustand gehalten werden.

Schutzvorrichtungen dürfen nur durch geeignete autorisierte Personen entfernt oder deaktiviert werden und nur, wenn dies absolut notwendig für die Ausführung spezifischer Arbeiten ist. Die Schutzvorrichtungen müssen sofort danach reaktiviert und geprüft werden.

### Allgemeine Geschäftsbedingungen der beschränkten Garantie

Bevor Sie Ihren BlueFlo® LITE installieren, lesen Sie bitte alle Warnhinweise, Sicherheitsanweisungen und Garantieinformationen in diesem Handbuch aufmerksam durch. Wenn diese Anweisungen nicht befolgt werden oder der Poolsauger nicht ordnungsgemäß installiert wird, kann das zu einer Beschädigung der Pool-Oberfläche oder der Vinylverkleidung führen. Pentair Aquatic Systems lehnt jede Haftung für Reparaturen oder Ersatz solcher Strukturen oder Bauteile im Pool des Kunden ab.

Beschränkte Garantie: 2 Jahre

Weiterführende Informationen: [www.pentairpooleurope.com](http://www.pentairpooleurope.com)

### Haftungsausschluss - Informationen zu Ihrem Pool und Ihrem Zubehör

Es gibt viele Faktoren, die einen Einfluss auf die Nutzungsdauer Ihres Pools haben.

Bitte beachten Sie, dass im Laufe der Zeit bei jeder Pool-Oberfläche Verschleißerscheinungen, Verfärbungen und Sprödigkeiten auftreten können, die durch Alter, unausgeglichene Pool-Chemikalien falsche Installation und andere Faktoren bzw. eine Kombination davon bedingt sind.

Dasselbe gilt auch für in den Boden eingelassene Swimming-Pools mit Vinylverkleidung, da die Vinylverkleidungen auch der Umwelt und Faktoren wie Poolwasserchemie, Sonnenlicht und Pool-Umgebung ausgesetzt sind. Daher kann es vorkommen, dass das Vinyl mit der Zeit ein wenig spröde und schwach wird. Darüber hinaus sind Pools mit Vinylverkleidung von der Verarbeitungsgüte, Zusammensetzung und Installation der Verkleidung sowie der Ausführung und Bauqualität der Stützwände und des Poolbodens betroffen. Diese Faktoren können alle zu Fehlern bei der Verkleidung führen. Der Hersteller lehnt jede Haftung für Reparaturen oder Ersatz solcher Strukturen oder Bauteile im Pool des Kunden ab.

Der Schwimmbadeigentümer muss sämtliche Verantwortung für den Zustand und die Wartung der Oberfläche, des Wassers und des Decks des Pools übernehmen.

Notieren Sie sich bitte vor der Installation der BlueFlo® LITE die Seriennummer. Wenn Sie Kontakt mit dem Technischen Support aufnehmen, müssen Sie diese Nummer angeben.

SERIENNUMMER \_\_\_\_\_

# ORDNUNGSDEMÄßER

Das Produkt ist für das Pumpen sauberen oder leicht trüben Wassers in Swimmingpool-Anwendungen konstruiert. Im Falle anderer Medien oder Anwendungen müssen die genauen Spezifikationen für den Gebrauch mit dem Hersteller abgesprochen werden.

Das Produkt darf nur wie in dieser Anleitung beschrieben verwendet werden. Jede andere Gebrauchsform stellt einen unsachgemäßen Gebrauch dar. In diesem Fall lehnt der Hersteller jegliche Haftung für sich daraus ergebende Schäden ab.

Das Produkt wurde nach dem neuesten Stand der Technik entworfen und konstruiert und ist völlig sicher und zuverlässig, wenn es in Einklang mit dieser Bedienungsanleitung und weiteren spezifischen System- oder Betriebsanforderungen verwendet wird.

Dennoch kann sein Gebrauch Leben und körperliche Unversehrtheit der Bedienperson oder anderer Personen gefährden oder das Produkt oder andere Ausrüstungen beschädigen.

Änderungen des Produkts sind in gewissen Fällen möglich. In diesen Fällen muss die vorherige schriftliche Zustimmung des Herstellers eingeholt werden.

**Der Hersteller lehnt in folgenden Fällen die Verantwortung ab:**

- Nichtbeachtung der Informationen in dieser Bedienungsanleitung
- Verwendung von nicht durch den Hersteller genehmigten Ersatzteilen oder Komponenten
- Fehlerhafter Betrieb
- Entfernung, Änderung oder Deaktivierung von Sicherheitsvorrichtungen
- Unsachgemäße Ausführung der Wartungsarbeiten

**Unsachgemäßer Gebrauch**

Dieses Produkt kann Gefahren verursachen, wenn es unsachgemäß oder nicht für seinen beabsichtigten Zweck verwendet wird.

**Unter keinen Umständen darf die Pumpe für aggressive Flüssigkeiten, entzündbare Flüssigkeiten, giftige Flüssigkeiten oder sonstige nicht zugelassene Lösungen verwendet werden.**

**Benutzen Sie nicht die Pumpe, wenn Leute im Swimmingpool sind.**

# TRANSPORT/ÜBERWINTERN

Die gesamte Lieferung ist sofort bei der Ankunft auf Vollständigkeit und eventuelle Transportschäden zu prüfen. Reklamationen werden nur akzeptiert, wenn sie dem Spediteur oder Hersteller am Tag der Lieferung gemeldet werden.

Die Verpackungsmaterialien sollten, wenn möglich, wiederverwendet werden oder entsprechend den lokalen Vorschriften entsorgt werden.

## Lagerung - Überwintern

**⚠ WARNING** Eine längere Zwischenlagerung in einer Umgebung mit hoher Luftfeuchtigkeit und Temperaturänderungen ist zu vermeiden. Kondensation kann die Motorspulen und sonstige Metallteile beschädigen. Dadurch wird die Garantie unwirksam. Die Pumpe kann auch beschädigt werden, wenn sie Frost ausgesetzt wird. Auch dadurch wird die Garantie unwirksam. Es darf kein Gefrierschutzmittel verwendet werden, weil das die Kunststoffteile beschädigen kann.

Bei Frostrisiko ist die Pumpe gründlich zu entleeren. Hierzu den Ablassstopfen öffnen und das Wasser aus der Pumpe fließen lassen. Die Pumpe auch auf den Kopf stellen, um zusätzliches Wasser aus der Drucköffnung der Pumpe ablaufen zu lassen. Das Rohrleitungssystem ist auch vollständig von Wasser zu leeren.

Alle Wasserleitungsanschlüsse prüfen, wenn Sie die Pumpe nach dem Winter oder längeren Lagerungszeiträumen wieder installieren. Die Sperrventile in der Saug- und der Druckleitung öffnen. Alle Entwässerungsventile im System und an der Pumpe schließen. Die Pumpe in Einklang mit den im Abschnitt Installation dieses Handbuchs erteilten Anweisungen starten.

# INSTALLATION

Dieser Abschnitt beschreibt das Verfahren für Installation und Start der Pumpe. Er beschreibt, wie die Arbeiten ausgeführt werden müssen und welche Merkmale besondere Aufmerksamkeit erfordern.

Installation und Start der Pumpe dürfen nur durch geeignetes zugelassenes Personal ausgeführt werden.

## ALGEMEINES

Die Pumpe sollte bevorzugt auf einer Betonoberfläche installiert werden und unter Verwendung der Löcher der Basis festgeschraubt werden. Die Pumpe muss an einem trockenen Ort installiert werden. Wenn die Pumpe an einem feuchten Ort installiert wird, muss für eine angemessene Belüftung gesorgt werden, um Kondensbildung vorzubeugen. Um einen ordnungsgemäßen Betrieb des Motors zu ermöglichen, muss stets für eine angemessene Belüftung gesorgt werden.

Für die Installation und Wartung der Pumpe sollte genug Raum gelassen werden. Beachten Sie die Abmessungen der Pumpe und lassen Sie um das Gerät herum mindestens 25 cm frei.

Für eine maximale Leistung sollte die Pumpe so nahe wie möglich am Pool angebracht werden. Dafür sorgen, dass die Installation die lokalen Vorschriften für eine ordnungsgemäße Installation erfüllt.

Nach Möglichkeit sind kurze, gerade Rohre zu verwenden, um Reibungsverluste zu vermeiden.

## STROMVERSORGUNG

Das elektrische Stromnetz muß die folgenden Eigenschaften aufweisen:

- mit einem Differentialschutz ausgerüstet sein
- Die Spannungs- und Frequenzwerte müssen mit den Werten übereinstimmen, die auf dem Datenschild des Gerätemotors angegeben sind - die abgegebene Leistung darf nicht niedriger sein, als der auf dem Maschinenmotor angegebene Wert.
- Ein Schütz mit geeignetem Thermoschutz besitzen.
- Ein selbstausgleichendes und in Abhängigkeit von der tatsächlichen Stromaufnahme reguliertes Thermorelais besitzen.
- Einen Trennschalter mit Schutzsicherungen besitzen.
- Ausreichend Trennkabel für die Stromaufnahme des Motors besitzen.

**⚠ WARNING** Ausreichenden Potentialausgleich (empfohlen mind. 4.5mm<sup>2</sup>), in Übereinstimmung mit örtlichen Vorschriften, ist zwischen alle Metallteile des Beckens einschließlich der Schwimmbadpumpe erforderlich. Dies ist notwendig für die elektrische Sicherheit, als auch hinsichtlich der Verringerung des Risikos von Korrosion .

## INSTALLATION

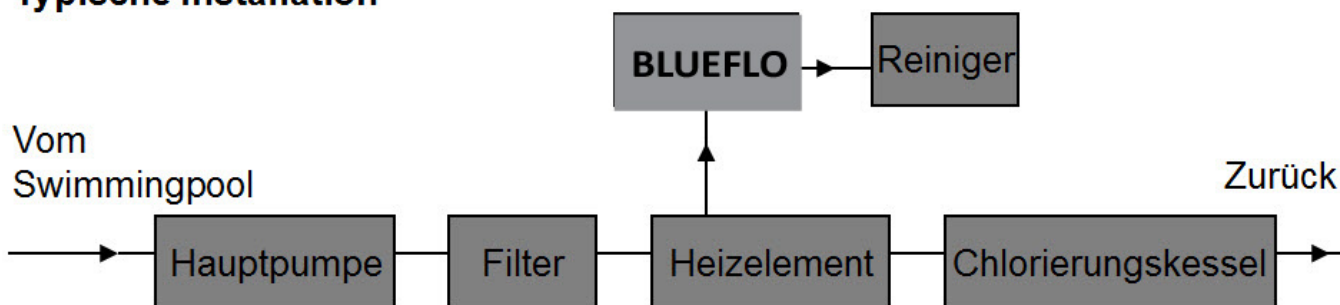
**⚠ DANGER** Bei allen Installationsarbeiten muß die Elektropumpe vom Stromnetz getrennt sein.

**⚠ WARNING** Das Gerät nicht an einem Ort installieren, an dem Gas und/oder entflammbare oder explosive Materialien vorhanden sind.

**⚠ DANGER** Die Elektropumpen wurden so konstruiert, daß alle sich bewegenden Teile aufgrund Schutzabdeckungen ungefährlich sind. Die Elektropumpe nicht verwenden, falls diese Schutzabdeckungen entfernt oder beschädigt wurden: es können schwere Personenschäden entstehen.

**⚠ DANGER** An der Zuleitung des Geräts muß immer ein automatischer Differentialschalter eingeschaltet sein.

### Typische Installation



## INSTALLATIONANSCHLÜSSE

Es ist darauf zu achten, sicherzustellen, dass durch die Installation der Anschlüsse keine Lecks auftreten. Wenn das Saug- und das Druckrohr direkt an die Pumpe angeschlossen sind, nur Dichtungsband aus Teflon verwenden, um eine gute Abdichtung sicherzustellen.

Wenn Schraubverbindungen verwendet werden, dürfen sie nicht durch Dichtmasse abgedichtet werden. Schraubverbindungen werden mithilfe eines O-Rings abgedichtet und brauchen nur von Hand angezogen zu werden.

Die Gewindeanschlüsse des Zu- und Auslaufs der Pumpe sind mit einem Gewindestopp ausgerüstet. Die Anschlussverbindung kann nicht über diesen Punkt hinaus forciert werden.

**Anschlusspunkte NICHT überdrehen.  
Ein Anziehen von Hand und zusätzlich nicht mehr als 2 Umdrehungen sollten ausreichen.**

Die Installation der Rohrleitungen sollte an der Pumpe beginnen, um Beanspruchungen des Pumpengehäuses, wenn möglich, zu vermeiden. Luftschlüsse können vermieden werden, indem die Saugleitung mit einer leichten Neigung zur Pumpe installiert wird. An den Ansaugstutzen sollte eine gerade, mindestens 50 cm lange Leitung montiert werden.

## ELEKTRISCH ANSCHLÜSSE

Dies muss durch einen zertifizierten Elektriker erfolgen. Im elektrischen System muss ein Trennelement mit einer Kontaktöffnung von mindestens 3 mm für jeden Pol installiert werden, das eine Abschaltung vom Netzanschluss ermöglicht. Der Hersteller lehnt jede Haftung für Motorschäden ab, die durch die Installation eines externen Schutzschalters vermieden werden können. Bitte verwenden Sie die elektrischen Daten vom Leistungsschild des Motors für eine Dimensionierung des elektrischen Systems. Ansonsten sind alle Garantiesprüche im Fall einer Beschädigung des Motors und/oder der Pumpe ungültig.

**⚠ WARNING** Das Gerät muss geerdet sein.

Beim Ansprechen dieses Schutzes wegen Überhitzung ist die Stromversorgung zu unterbrechen und die Abkühlung des Motors abzuwarten bis die Temperatur wieder zulässige Werte erreicht hat. Vor der erneuten Verwendung der Pumpe sind die Gründe der Überhitzung festzustellen.

Sicherstellen, dass normgerechte, 3-adrige Kabel (2 + Erdung) mit einer Stärke von mindestens 0,75 mm<sup>2</sup> und einer Länge von max. 2 m verwendet werden. Sollte das Kabel länger sein ist die Stärke gemäß der geltenden Vorschriften zu erhöhen.

## ANSCHLUß AN DIE ELEKTRISCHE ANLAGE

**⚠ DANGER** Es ist Aufgabe des Installateurs, sicherzustellen, daß die elektrische Anlage den geltenden Vorschriften gemäß geerdet ist.

**⚠ DANGER** Es ist sicherzustellen, daß die elektrische Anlage mit einem hochsensiblen Differentialschalter  $I_{\Delta n} = 30 \text{ mA}$  (EN 61008-1 / EN 61009-1) ausgerüstet ist.

**⚠ DANGER** Vor der Entfernung des Klemmbrettdeckels am Motor und vor allen Arbeiten am Gerät sicherstellen, daß die Stromversorgung ausgeschaltet wurde.

### Für den Anschluss des Gerätes an die elektrische Anlage ist folgendermaßen vorzugehen:

- Überprüfen, ob der Motor für die Netzspannung- und –frequenz geeignet ist.
- Die Stromversorgung mit dem Trennschalter ausschalten.
- Verwenden Sie Kabel, die nach den Standards zugelassen sind, mit drei Leitern (2 + Erdung) mit einem Durchmesser von mindestens 0,75 mm<sup>2</sup> bei einer maximalen Kabellänge von 2 m. Der Querschnitt der Leiter muss länger sein, wenn das Kabel in geeigneter Weise in Übereinstimmung mit den geltenden Normen ist erhöht.

Als Anschlußleitung sind die folgenden Kabel zu benutzen:

- im Freien → Kabel H07RN-F.
- in geschlossenen Räumen → Kabel H05RN-F oder H07RN-F.
- Bei Umgebungstemperaturen von 40° bis 50°C üssen Speisekabel verwendet werden, die Temperaturen von mindestens 95°C widerstehen mit einem Mindestquerschnitt der Leiter von 1.5 mm<sup>2</sup>
- Die Wechselstrompumpen verfügen über einen eingebauten thermo-ampere-metrischen Schutz mit automatischer Rückstellung
- Die Stromversorgungsleitung muss mit einer Kurzschlussicherung sowie einem Differenzschalter RCD (Fehlerstromschutzschalter) von hoher Empfindlichkeit (30mA) ausgestattet und mit einer Sicherung mit Zeitverzögerung oder einem Schutzschalter gesichert sein.

Installationen und Modifikationen dürfen nur durch einen qualifizierten Elektriker durchgeführt werden.

Verdrahtung / Anschlussplan kann am Ende dieser Bedienungsanleitung im Abschnitt "Technische Daten" zu finden

Sicherstellen, dass normgerechte, 3-adrige Kabel (2 + Erdung) mit einer Stärke von mindestens 0,75 mm<sup>2</sup> und einer Länge von max. 2 m verwendet werden. Sollte das Kabel länger sein ist die Stärke gemäß der geltenden Vorschriften zu erhöhen.

## INSTALLATION

**Nie die Pumpe trocken (ohne Wasser) laufen lassen.** Dadurch werden die Wellendichtung und die internen Kunststoffkomponenten beschädigt.

### START DER PUMPE

In einer Anwendung vom Typ überströmten Saugens (Pumpe unter dem Wasserspiegel oder in gerader Linie mit Primärpumpe) startet die Pumpe, sobald die Sperrventile im Einlauf geöffnet werden.

In nicht überströmten Pumpen muss die Pumpe vorgefüllt werden, indem Wasser in die Saugleitung und den Pumpeninnenraum gegeben wird.

Die Pumpe beginnt nach dem Einschalten zu arbeiten. Die Saugwirkungszeit hängt von der Saughöhe und der Länge der Saugleitung ab.

Wenn die Pumpe nicht funktioniert, überprüfen Sie, ob alle Sperrventile offen sind und es keine Lecks in der Saugleitung gibt, wo Luft in die Wasserleitung gelangen und die Aktivierung verhindern kann.

# WARTUNG

Eine regelmäßige Wartung, Reinigung und Inspektion der Pumpen ist von erheblicher Bedeutung. Dadurch werden Probleme reduziert und die Betriebssicherheit und -zuverlässigkeit erhöht.

## WARTUNG

Die Wartung des Geräts sollte nur von speziell qualifizierten Personen ausgeführt werden.

Vor dem Start der Pumpe nach längerem Nichtgebrauch oder wenn sie im Frühling neu gestartet wird, wird empfohlen, die Motorwelle bei angeschalteter, mit Wasser gefüllter Pumpe durch den Motorventilator unter Verwendung eines Schraubenziehers zu drehen. Dadurch wird die Wellendichtung freigegeben, was den Start der Pumpe erleichtert.

## ERSATZTEILE

Ersatzteile müssen mit den durch den Hersteller spezifizierten technischen Anforderungen konform sein. Dies ist bei der Verwendung von Originalersatzteilen stets garantiert. Wir bieten nur eine Garantie für durch uns gelieferte Originalersatzteile. Wir lehnen im Fall von Schäden, die durch die Verwendung nicht zugelassener Ersatz- oder Zubehörteile verursacht wurden, jede Haftung oder Garantie ab.



Only for EU countries

Do not dispose of electric tools together with household waste material!

In observance of European Directive 2002/96/EC on waste electrical and electronic equipment and its implementation in accordance with national law, electric tools that have reached the end of their life must be collected separately and returned to an environmentally compatible recycling facility.

# PROBLEMBEHEBUNG

DIE PUMPE LÄSST SICH NICHT VORFÜLLEN	Zu wenig Wasser im Pumpengehäuse
	Primärpumpe liefert kein Wasser
	Eingangsventil geschlossen
	Luftaustritt in der Saugleitung
DER MOTOR LÄUFT NICHT	Strom ist aus
	Stromunterbrecher hat ausgelöst
	Pumpe ist aus durch zeitgesteuerten Kreislauf
	Motoranschluss ist fehlerhaft
	Pumpenrad ist durch Verunreinigungen blockiert
NIEDRIGER DURCHFLUSS - HOHER FILTERDRUCK	Filter ist schmutzig
	Drosselung in Rücklaufleitung
NIEDRIGER DURCHFLUSS - NIEDRIGER FILTERDRUCK	Einlaufinstallation ist blockiert
	Pumpenrad ist durch Verunreinigungen blockiert
	Luftaustritt in der Saugleitung
	Motordrehung ist fehlerhaft
LAUTE PUMPE	Luftaustritt in der Saugleitung
	Verunreinigungen in Installationsleitungen oder Pumpengehäuse
	Durchmesser der Saugleitung ist zu niedrig
	Fehlerhafte Installation der Pumpe
	Hohlraumbildung (Drosselung von Wasser)
AUFHEIZEN DES MOTORS	Unzureichende Lüftung des Motors
	Größe der Leitungsführung zu niedrig

## Klantendienst

HERENTALS, BELGIE (8.30 u. tot 16.30 u.) CET

Website: [www.pentairpooleurope.com](http://www.pentairpooleurope.com)

E-mail: [poolemea@pentair.com](mailto:poolemea@pentair.com)

De fabrikant, Pentair, heeft het recht om de producten zonder voorafgaande melding te wijzigen, voor zover hun eigenschappen hierdoor niet wezenlijk veranderd worden.

© 2016 Pentair, Inc. Alle rechten voorbehouden. Dit document kan zonder voorafgaande kennisgeving gewijzigd worden.

Handelsmerken en disclaimers: alle Pentair handelsmerken en logo's zijn eigendom van Pentair, incl. BlueFlo® en Pentair Aquatic Systems™ zijn handelsmerken van Pentair Inc. en/of zijn verbonden ondernemingen in de Verenigde Staten en/of andere landen. Tenzij uitdrukkelijk vermeld, worden de namen en merken van derde partijen die in dit document aan bod komen, niet gebruikt om een band tussen de eigenaars van die namen en merken en Pentair Inc. aan te geven. Die namen en merken kunnen handelsmerken of geregistreerde handelsmerken van die derde partijen zijn.

**⚠ DANGER** Het niet opvolgen van de instructies in deze handleiding kan ernstige ongewenste gezondheidseffecten, of zelfs ernstige of dodelijke letsels tot gevolg hebben. Wanneer de instructies in deze handleiding niet opgevolgd worden, vervallen in ieder geval alle garanties en aansprakelijkheden van de fabrikant. DE INSTALLATEURS, OPERATORS EN EIGENAARS MOETEN DEZE WAARSCHUWINGEN EN ALLE INSTRUCTIES IN DE GEBRUIKERSHANDLEIDING LEZEN VOOR ZIJ DEZE POMP GEBRUIKEN. DE EIGENAAR VAN DE WONING MOET DEZE WAARSCHUWINGEN EN DE GEBRUIKERSHANDLEIDING BIJHOUDEN.

## BELANGRIJKE WAARSCHUWINGEN EN VEILIGHEIDSINSTRUCTIES




### Belangrijk:

**⚠ WARNING** **Opgelet - installateur:** deze gids bevat belangrijke informatie over de installatie, de bediening en het veilige gebruik van dit product. Deze informatie moet na de installatie van de pomp aan de eigenaar en/of exploitant van deze uitrusting gegeven worden.

**Opgelet - gebruiker:** deze handleiding bevat belangrijke informatie om u te helpen deze pomp te bedienen en te onderhouden. Bewaar ze zodat u ze later kunt raadplegen. Raadpleeg Pentair als u vragen hebt over deze uitrusting.

Vooraleer dit product te installeren, dient u alle waarschuwingen en instructies in de handleiding te lezen en op te volgen. Wanneer de veiligheidswaarschuwingen en -instructies niet gevolgd worden, kan dat resulteren in ernstige verwondingen, de dood of materiële schade. Ga naar [www.pentairpooleurope.com](http://www.pentairpooleurope.com) voor gratis bijkomende exemplaren van deze instructies.

### Consumenteninformatie en veiligheid

Deze pomp is ontworpen en gemaakt om jarenlang veilig en betrouwbaar te werken als ze geïnstalleerd, bediend en onderhouden worden zoals in deze handleiding wordt beschreven. In deze handleiding worden de veiligheidswaarschuwingen en -voorzorgen aangegeven door het symbool “”. Lees al deze waarschuwingen en voorzorgen en neem ze in acht.

**⚠ WARNING** Om de kansen op letsels te verminderen, mag u kinderen dit product niet laten gebruiken. Deze pomp mag alleen door een gekwalificeerde onderhoudstechnicus geïnstalleerd en onderhouden worden.

Een grondige kennis van de belangrijkste veiligheidsinstructies is een essentiële voorwaarde voor het veilige gebruik en probleemloze bediening van dit product. Tijdens de installatie prevaleren de wettelijke voorschriften betreffende het voorkomen van ongelukken en de geldende specialistische en technische regels voor veilig en correct werken moeten te allen tijde nagevolgd worden.

Het niet navolgen van de veiligheidsinstructies kan resulteren in ernstige gezondheidscomplicaties, of zelfs ernstige of dodelijke verwondingen. Het niet navolgen van de veiligheidsinstructies ontslaat de fabrikant van alle verplichtingen op het gebied van garantie en aansprakelijkheid.

Het niet navolgen van de veiligheidsinstructies kan leiden tot de volgende gevaren:

- Ontregeling van belangrijke functies van het zwembad en/of andere apparatuur
- Ontregeling van de aanbevolen onderhoudsmaatregelen
- Gevaar voor personen vanwege elektrische, mechanische of chemische gevolgen
- Gevaar voor de omgeving vanwege het lekken van gevaarlijke stoffen
- Schade aan apparatuur of bouwmaterialen



## BELANGRIJKSTE VEILIGHEIDSVEREISTEN

De pompen voldoen aan de minimum voorschriften inzake veiligheid en gezondheid van de EU. Er kunnen zich echter nog wel gevaarlijke situaties voordoen.

De pompen mogen alleen worden gebruikt onder de juiste bedieningsomstandigheden en in overeenstemming met de bedieningsvoorschriften. Ieder gebrek dat mogelijkwijze een gevaar vormt voor de veiligheid, moet onmiddellijk hersteld worden.

- Om de veiligheid te waarborgen moeten alle personen die met het product in contact komen op de hoogte zijn van de inhoud van de bedieningsvoorschriften. Alleen op deze manier kan het risico op ongelukken tot het minimum worden gereduceerd.
- Het product mag niet gebruikt worden voor andere doeleinden dan die gespecificeerd door de fabrikant. Dit kan onvoorziene risico's tot gevolg hebben.
- De plaatselijke werkverordeningen, veiligheidsvoorschriften en regelgevingen moeten te allen tijde in acht worden genomen. Hetzelfde geldt voor de milieuvoorschriften.
- Als er gebreken of gevaren worden aangetroffen, dan dient het personeel de uitvoerder of zijn plaatsvervanger daarvan onmiddellijk op de hoogte te stellen.
- Gedurende de normale werking van het product mogen de veiligheidsvoorzieningen nooit worden verwijderd of omgeleid.
- De voor onderhoud of reparatie verwijderde of ontmantelde veiligheidsvoorzieningen dienen onmiddellijk na voltooiing van deze werkzaamheden weer geïnstalleerd en getest te worden.
- Werkzaamheden aan technische uitrusting (bv. elektriciteit) mogen alleen uitgevoerd worden door gekwalificeerd, specialistisch personeel.
- Neem extra voorzorgsmaatregelen voor werken met elektrische motoren. Zij kunnen heet worden tijdens het proces. Laat de motor afkoelen voordat u met de reparatie begint. Als dit niet mogelijk is, neem dan passende voorzorgsmaatregelen (bv. het dragen van beschermende handschoenen).
- Personeel dat getraind of geïnstrueerd wordt mag alleen aan de pompen werken onder het constante toezicht van een deskundig persoon.
- Alle veiligheidsinstructies en waarschuwingen voor het product moeten te allen tijde leesbaar zijn.
- Vermijd het contact tussen hete onderdelen en explosieven of licht ontvlambare chemicaliën.

## VEILIGHEIDSVORZIENINGEN EN VOORSCHRIFTEN

De beschermende elementen mogen alleen verwijderd of gedeactiveerd worden door daarvoor bevoegde personen en dan alleen nog indien dit absoluut noodzakelijk is voor de prestatie van het specifieke werk. De beschermende elementen moeten daarna onmiddellijk opnieuw geactiveerd en getest worden.

Werkzaamheden aan elektrische componenten moeten uitgevoerd worden door een daarvoor bevoegde elektromonteur die beschikt over de juiste technische ervaring. De bedieningsvoorschriften die door de fabrikant van de motor zijn meegeleverd (indien van toepassing) moeten te allen tijde worden nagevolgd. De elektrische uitrusting van de pomp dient regelmatig te worden geïnspecteerd en gecontroleerd. Gebreken zoals losse aansluitingen of beschadigde kabels moeten onmiddellijk worden gerepareerd.

### Voorwaarden beperkte garantie

Lees en begrijp alle waarschuwingen en de veiligheids- en garantie-informatie in deze handleiding voor u uw BlueFlo® LITE installeert. Niet-naleving van deze instructies of verkeerde installatie van de zwembadreiniger kan beschadiging van de zwembadafwerking of van de vinylbekleding tot gevolg hebben. Pentair Aquatic Systems kan niet aansprakelijk worden gesteld als die structuren of onderdelen van het zwembad van de klant moeten worden hersteld of vervangen.

Beperkte garantie: 2 jaar.

Voor meer informatie: [www.pentairpooleurope.com](http://www.pentairpooleurope.com)

### Aansprakelijkheidsbeperking - Over uw zwembad en uitrusting

De levensduur van uw zwembad wordt door vele factoren bepaald.

Houd er rekening mee dat ouderdom, chemische onbalans van het zwembadwater, verkeerde installatie en andere factoren elk afzonderlijk of samen tot beschadiging, kleurverlies en broosheid van elke zwembadafwerking kunnen leiden.

Hetzelfde geldt voor verzonken zwembaden met vinylafwerking. Vinylbekledingen zijn immers ook gevoelig voor omgevingsfactoren en invloeden zoals de chemische eigenschappen van het zwembadwater, het zonlicht en de directe omgeving van het zwembad. Mettertijd kan het vinyl dus broos en slap worden. Voor met vinyl afgewerkte zwembaden zijn bovendien de materiaalkwaliteit, de samenstelling en de installatie van de bekleding en de constructiekwaliteit van de dragende wanden en de zwembadbodem belangrijke factoren. Al deze factoren kunnen bijdragen tot beschadiging van de afwerking. De fabrikant kan niet aansprakelijk worden gesteld voor herstellingen of vervanging van deze structuren of onderdelen van het zwembad van de klant.

De eigenaar van het zwembad draagt de volledige verantwoordelijkheid voor de staat en het onderhoud van het zwembadoppervlak, het water en de boord.

Neem de tijd om het serienummer te noteren voor u de BlueFlo® LITE installeert. Dit nummer zal u gevraagd worden wanneer u contact opneemt met de technische ondersteuning.

SERIENUMMER \_\_\_\_\_

## JUIST GEBRUIK

Het product is ontworpen voor het pompen van helder of lichtelijk troebel water in zwembaden. In het geval van andere toepassingen dient voor de juiste gebruiksdosering met de fabrikant overlegd te worden.

Het product mag alleen gebruikt worden zoals gespecificeerd in deze instructies. Alle andere vormen van gebruik zijn incorrect. In dat geval is de fabrikant niet aansprakelijk voor de evt. schade die daaruit voortvloeit.

Het product is ontworpen en gefabriceerd volgens de modernste technologie en is totaal veilig en betrouwbaar zolang het gebruikt wordt in overeenstemming met de bedieningsvoorschriften en evt. andere specifieke systeem- of bedieningseisen.

Desondanks kan het gebruik gevaar opleveren voor het leven en ledematen van de bediener of andere personen, of het product of andere apparatuur beschadigen.

Aanpassingen aan het product zijn slechts in bepaalde situaties mogelijk. In zulke gevallen moet van te voren schriftelijke toestemming verkregen worden van de fabrikant.

**De fabrikant accepteert geen verantwoordelijkheid in de volgende gevallen:**

- Het in gebreke blijven de informatie van de bedieningsvoorschriften te lezen
- Gebruik van reserveonderdelen of componenten die niet door de fabrikant zijn goedgekeurd
- Onjuiste bediening
- Verwijdering, aanpassing of inactivering van de veiligheidsvoorzieningen
- Onjuist uitgevoerd onderhoudswerk

### Onjuist gebruik

Het product kan gevaar opleveren indien onjuist gebruikt, of anders is aangewend dan voor het doel waarvoor het is ontworpen.

***Onder geen voorwaarde mag de pomp gebruikt worden voor agressieve vloeistoffen, giftige vloeistoffen of andere niet goedgekeurde oplossingen.***

***Gebruiken als er mensen in het zwembad zijn.***

## TRANSPORT/KLAARMAKEN VOOR DE WINTER

De complete levering dient bij ontvangst onmiddellijk gecontroleerd te worden of alles aanwezig is en op mogelijke transportschade. Alleen klachten ingediend op de dag van levering zelf bij de verzender of de fabrikant, zullen worden geaccepteerd.

De verpakkingsmaterialen zouden, indien mogelijk, moeten worden hergebruikt of worden weggegooid conform de lokale regelgeving.

### OPSLAG - KLAARMAKEN VOOR DE WINTER



**WARNING**

Langdurige tussentijdse opslag in een omgeving met een hoge luchtvochtigheid en grote temperatuursverschillen dient te worden vermeden. Condensatie kan de wikkelingen van de motor en andere metalen onderdelen aantasten.

In dit geval vervalt de garantie. De pomp kan ook beschadigd raken indien blootgesteld aan vorst. Ook in dit geval vervalt de garantie. Gebruik geen antivries, omdat dit de plastic onderdelen kan beschadigen.

Bij kans op vorst moet de pomp grondig schoon- en drooggemaakt worden. Open hiervoor de aftapplug en laat het water uit de pomp stromen. Houd de pomp ook ondersteboven zodat het overgebleven water in de afvoerpoort van de pomp wordt verwijderd. Het leidingsysteem moet totaal geleegd worden.

Check alle aansluitingen van de waterleidingen wanneer de pomp na de winter of na langdurige opslag weer geïnstalleerd wordt. Open de afsluitkleppen in de zuig- en drukleidingen. Sluit alle aftapkleppen in het systeem en op de pomp. Start de pomp volgens de instructies in het hoofdstuk Installatie van deze handleiding.

# INSTALLATIE

Dit hoofdstuk beschrijft de procedure voor de installatie en het opstarten van de pomp. Hierin wordt beschreven hoe het werk uitgevoerd moet worden en het geeft een overzicht van functies die om speciale aandacht vragen.

De installatie en het opstarten van de pomp mogen alleen uitgevoerd worden door daarvoor bevoegd personeel.

## INSTALLATIE - ALGEMEEN

De pomp wordt bij voorkeur gemonteerd op een betonnen ondergrond en d.m.v. de gaten aan de onderzijde vastgeschroefd. Plaats de pomp op een droge locatie. Als de pomp op een vochtige plaats wordt geïnstalleerd, dan is adequate ventilatie nodig om condensvorming tegen te gaan. Voor het goed functioneren van de motor is adequate ventilatie noodzakelijk.

Voor de installatie en het onderhoud van de pomp moet voldoende ruimte vrijgehouden worden. Houd rekening met de afmetingen van de pomp en laat minstens 25 cm ruimte vrij rond de unit.

Voor maximale prestatie moet de pomp zo dicht mogelijk bij het zwembad aangebracht worden. Zorg ervoor dat de installatie voldoet aan de lokale wetgeving inzake de juiste installatie.

Gebruik daar waar mogelijk korte, rechte buizen om wrijvingsverlies te voorkomen.

## ELECTRISCHE VOEDING

Het elektrische voedingsnet moet aan de volgende eisen voldoen:

- Er moet een differentiele beveiliging in zijn opgenomen.
- De waarden van spanning en frequentie moeten overeenkomen met wat op het typeplaatje van de machine staat.
- Het op het typeplaatje van de machine vermelde vermogen moet door het net geleverd mogen worden.
- Er moet een relais met afdoende thermische beveiliging in zijn opgenomen.
- Er moet een zelfgecompenseerd thermisch relais in zijn opgenomen, dat is afgeregeld op grond van de werkelijk opgenomen stroom.
- Er moet een scheidende schakelaar in zijn opgenomen met beveiligende zekeringen.
- De kabels van het net moeten een diameter hebben die voldoende is voor de door de motor opgenomen stroom.

**⚠ WARNING** Afdoende equipotentiaalverbinding (min 4.5mm<sup>2</sup> is aanbevolen), in overeenstemming met lokale regelgeving, is vereist tussen alle metalen componenten van het zwembad inclusief de pomp. Zowel voor de elektrische veiligheid als voor het terugdringen van elk risico op corrosie is dit noodzakelijk.

## INSTALLATIE

**⚠ DANGER** Er moet een differentiele beveiliging in zijn opgenomen.

**⚠ WARNING** De waarden van spanning en frequentie moeten overeenkomen met wat op het typeplaatje van de machine staat. Het op het typeplaatje van de machine vermelde vermogen moet door het net geleverd mogen worden.

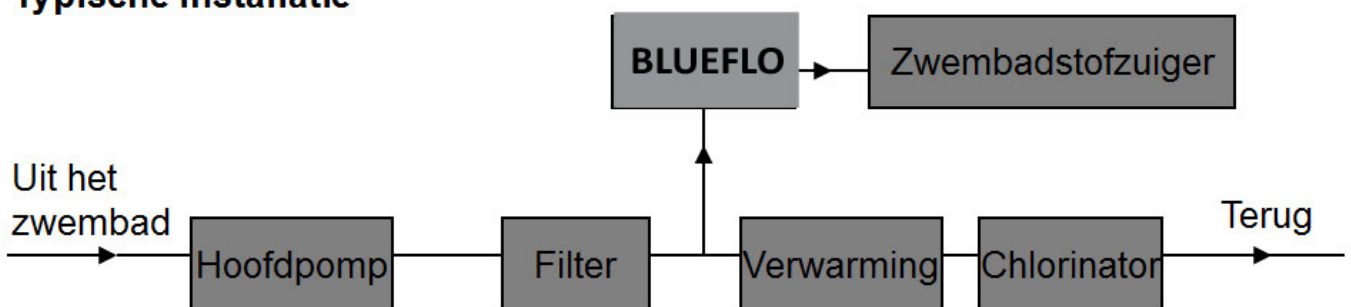
**⚠ DANGER** Er moet een relais met afdoende thermische beveiliging in zijn opgenomen.

Er moet een zelfgecompenseerd thermisch relais in zijn opgenomen, dat is afgeregeld op grond van de werkelijk opgenomen stroom.

**⚠ DANGER** Er moet een scheidende schakelaar in zijn opgenomen met beveiligende zekeringen.

De kabels van het net moeten een diameter hebben die voldoende is voor de door de motor opgenomen stroom.

### Typische installatie



## AANSLUITINGEN AFVOERBUIZEN

De installatie van de aansluitingen moet voorzichtig worden uitgevoerd om lekkages te vermijden

Als de inlaat- en de uitlaatbuizen direct aangesloten worden op de pomp, gebruik dan Teflon sealing tape om een goede afdichting te waarborgen.

Bij het gebruik van schroeffittingen moeten deze niet door een dichtingmassa worden afgedicht. Schroefafsluitingen met een O-ring hoeven slechts handvast aangedraaid te worden.

De schroefdraadverbindingen van de inlaat en de uitlaat van de pomp zijn uitgerust met een draadstop. De aangesloten fitting kan niet voorbij dit punt geforceerd worden.

***Draai de aansluitpunten NIET te strak aan. Handvast plus niet meer dan 2 draaien moet voldoende zijn.***

De installatie van de leidingen moeten beginnen bij de pomp (indien mogelijk) om spanning op de pompbehuizing te voorkomen. Luchtzakken kunnen vermeden worden door de zuigleiding een beetje schuin naar de pomp toe te installeren. Aan de zuigmond moet een rechte leiding van tenminste 50 cm in lengte geïnstalleerd worden.

## ELEKTRISCHE AANSLUITINGEN

Dit moet worden uitgevoerd door een bevoegde elektromonteur. Het elektrische systeem moet worden voorzien van een separator die d.m.v. een opening voor iedere pool van tenminste 3 mm de stroomtoevoer afsluit. De fabrikant is niet aansprakelijk voor schade aan de motor die vermeden kan worden door de installatie van een externe beschermingsschakelaar. Gebruik de elektrische gegevens van de naamplaat op de motor voor het uitbreiden van het elektrische systeem. Anders vervallen in het geval van schade aan de motor en/of pomp alle garantieclaims.

**⚠ WARNING Het product moet geaard worden**

In geval van interventie door deze veiligheidsvoorziening als gevolg van oververhitting, moet de stroomtoevoer verbroken worden en de motor afkoelen tot deze een acceptabele temperatuur bereikt. Achterhaal de oorzaak van de oververhitting van de motor alvorens de pomp opnieuw te gebruiken.

Gebruik kabels die goedgekeurd zijn volgens de geldende normen, met drie geleiders (2+aarding) met een doorsnede van minstens 0,75 mm<sup>2</sup> bij een maximale kabellengte van 2 mtr. Als de kabel langer is moet de doorsnede van de geleiders vergroot worden op een geschikte wijze die overeenstemt met de geldende normen.

## AANSLUITING AAN HET ELECTRISCHE NET

**⚠ DANGER** Het is de verantwoordelijkheid van de installateur om te controleren dat het voedende net van een deugdelijk aardstelsel is voorzien dat aan de geldende voorschriften voldoet.

**⚠ DANGER** Men moet controleren dat het voedende net van een differentiele beveiliging is voorzien. Deze moet zeer gevoelig zijn  $I_{\Delta n} = 30 \text{ mA}$ , (EN 61008 – 1 / 61009 - 1).

**⚠ DANGER** Men moet controleren dat de machine van het voedende net is gescheiden voordat men (bij het uitvoeren van onderhoud) het kapje van het klemmenblok afhaalt

### Men moet de pomp op de volgende manier op het voedende net aansluiten:

- Controleer dat de motor geschikt is voor de netspanning.
- Scheid de machine van het net door middel van de scheidende schakelaar.
- Gebruik kabels die goedgekeurd zijn volgens de geldende normen, met drie geleiders (2+aarding) met een doorsnede van minstens 0,75 mm<sup>2</sup> bij een maximale kabellengte van 2 mtr. Als de kabel langer is moet de doorsnede van de geleiders vergroot worden op een geschikte wijze die overeenstemt met de geldende normen.

### Als leider van de aansluiting moet men gebruiken:

- buiten → snoer H07RN-F.
- binnen de ruimten → snoer H05RN-F of H07RN-F.
- Bij een omgevingstemperatuur van 40°C tot 50°C moeten er voedingskables gebruikt worden met temperatuurgegevens van niet lager dan 95°C en met een minimum doorsnede van de geleiders van 1.5 mm<sup>2</sup>
- De elektrische éénfasepompen zijn uitgerust met een thermische ampèremeterbeveiliging met ingebouwde automatische reset.
- De voedingslijn moet zijn voorzien van een beveiliging tegen kortsluiting, een aardlekschakelaar RCD (lekstroombeveiliging) met een hoge gevoeligheid (30mA) en een veilig rendement met trage zekering of een magnetochemische schakelaar.

Installaties en aanpassingen aan elektrische installaties mogen enkele uitgevoerd worden door gekwalificeerde electriciens.

Bedrading / verbinding schema is te vinden aan het eind van deze handleiding onder punt "Technische gegevens"

Gebruik kabels die goedgekeurd zijn volgens de geldende normen, met drie geleiders (2+aarding) met een doorsnede van minstens 0,75 mm<sup>2</sup> bij een maximale kabellengte van 2 mtr. Als de kabel langer is moet de doorsnede van de geleiders vergroot worden op een geschikte wijze die overeenstemt met de geldende normen.

## BEDIENING

Zorg dat de pomp nooit droog komt te staan (zonder water) Dit leidt tot beschadiging van de aasafdichting en de interne plastic componenten.

### OPSTARTEN VAN DE POMP

Wanneer de pomp beneden het waterniveau staat of lineair geschakeld is met de hoofdpomp, start hij zodra de afsluitkleppen in de inlaat worden geopend.

Bij toepassingen boven het waterniveau moet de pomp gevoed worden door de zuigleiding en het pompgat te vullen met water. De pomp wordt opgestart door hem aan te schakelen. De zuigtijd is afhankelijk van de zuighoogte en de lengte van de aanzuiglijn. Als de pomp niet werkt, controleer dan of alle afsluitkleppen open staan en of er geen lek is in de aanzuiglijn, waardoor het water vermengd wordt met lucht, wat de werking tegenhoudt.

## BEDIENING

Het is van het grootste belang dat de pompen regelmatig onderhouden, gereinigd en geïnspecteerd worden. Dit voorkomt problemen en verhoogt de werkveiligheid en betrouwbaarheid.

### ONDERHOUD

Het onderhoud aan het product mag alleen uitgevoerd worden door gekwalificeerd personeel.

Het is raadzaam om, voordat de pomp weer wordt opgestart na een lange periode van inactiviteit (bv. in de lente), de motors d.m.v. de motorventilator te laten draaien met de pomp uitgeschakeld en met de pomp vol water. Gebruik hiervoor een schroevendraaier. Hierdoor wordt de aasafdichting geopend, waardoor de motor gemakkelijker te starten is.

### TE VERVANGEN ONDERDELEN

Onderdelen moeten vervangen worden conform de door de fabrikant gespecificeerde technische vereisten. Door originele onderdelen te gebruiken wordt dit altijd gegarandeerd. Wij bieden alleen garantie op originele reserveonderdelen die door ons geleverd worden. Wij accepteren geen aansprakelijkheid of garantie in het geval van schade veroorzaakt door het gebruik van ongeautoriseerde onderdelen of accessoires.



Only for EU countries

Do not dispose of electric tools together with household waste material!

In observance of European Directive 2002/96/EC on waste electrical and electronic equipment and its implementation in accordance with national law, electric tools that have reached the end of their life must be collected separately and returned to an environmentally compatible recycling facility.

## PROBLEEMOPLOSSING

POMP KAN NIET GEVULD WORDEN	Onvoldoende water in de pompbehuizing
	Hoofdpomp levert geen water
	Inlaatklep gesloten
	Luchttek in de aanzuiglijn
MOTOR WERKT NIET	Power staat uit
	Circuitonderbreker is doorgeslagen
	De pomp is uitgeschakeld door een tijdschakelaar
	De motor is niet goed aangesloten
	Pompwaaier is geblokkeerd door vuil
GERINGE DOORSTROMING - HOGE FILTERDRUK	Filter is vervuild
	Verstopping in de retourleiding
GERINGE DOORSTROMING - LAGE FILTERDRUK	Inlaat afvoer is geblokkeerd
	Pompwaaier is geblokkeerd door vuil
	Luchttek in de aanzuiglijn
	De motorrotatie is niet goed
POMP MAAKT LAWAAI	Luchttek in de aanzuiglijn
	Vuil in de afvoerlijn of de behuizing van de pomp
	Diameter van de aanzuiglijn is te klein
	Pomp onjuist geïnstalleerd
	Cavitatie (te weinig water)
MOTOR WORDT HEET	Te weinig ventilatie voor de motor
	Te smalle bedrading

## Assistance clientèle

HERENTALS, BELGIQUE (8h30 à 16h30) Heure centrale européenne

Site Web : [www.pentairpooleurope.com](http://www.pentairpooleurope.com)

E-mail : [poolemea@pentair.com](mailto:poolemea@pentair.com)

Le fabricant, Pentair, est en droit de modifier les produits sans avis préalable tant que leurs caractéristiques n'en sont pas réellement altérées.

© 2016 Pentair, Inc. Tous droits réservés. Ce document peut être modifié sans avis préalable.

Marques déposées et clauses de non-responsabilité : toutes les marques déposées et logos sont la propriété de Pentair, Inc. BlueFlo® et Pentair Aquatic Systems™ sont les marques déposées de Pentair Inc. et/ou de ses entreprises affiliées aux États-Unis et/ou dans d'autres pays. Sauf mention contraire, les noms et marques de tiers qui peuvent être utilisés dans ce document ne signifient aucunement une quelconque adhésion entre les propriétaires de ces noms et marques et Pentair Inc. Ces noms et ces marques peuvent être des marques de commerce ou des marques déposées de ces tiers.

**⚠ DANGER** Ne pas suivre les instructions contenues dans ce manuel peut causer des effets néfastes sur la santé ou même des blessures graves, voire la mort. Ne pas suivre les instructions contenues dans ce manuel invalidera dans tous les cas les garanties et exonèrera le fabricant de toute responsabilité. LES INSTALLATEURS, OPÉRATEURS ET PROPRIÉTAIRES DE PISCINE DOIVENT LIRE CES AVERTISSEMENTS ET TOUTES LES CONSIGNES DU MANUEL DU PROPRIÉTAIRE AVANT D'UTILISER CETTE POMPE. CES AVERTISSEMENTS ET LE MANUEL DU PROPRIÉTAIRE DOIVENT ÊTRE LAISSÉS AU PROPRIÉTAIRE.

## AVERTISSEMENTS IMPORTANTS ET CONSIGNES DE SÉCURITÉ



### Avis important :

**À l'attention de l'installateur :** ce guide contient des informations importantes concernant l'installation, le fonctionnement et l'utilisation sécuritaire de ce produit. Cette information doit être remise au propriétaire et/ou à l'utilisateur de cet équipement après l'installation du pompe.

**⚠ WARNING** **À l'attention de l'utilisateur :** ce manuel contient d'importantes informations qui vous aideront à utiliser et entretenir ce pompe. Veuillez le conserver pour référence ultérieure. Consultez Pentair si vous avez des questions concernant ce matériel.

Avant d'installer ce produit, lire et suivre toutes les notices d'avertissement et instructions qui sont incluses. Toute effraction quant à ces consignes de sécurité et ces instructions peut causer des blessures graves ou mortelles, ou des dommages matériels. Visitez [www.pentairpooleurope.com](http://www.pentairpooleurope.com) pour obtenir des exemplaires supplémentaires de ces instructions.

### Informations pour le client et la sécurité

Cette pompe est conçu et fabriqué pour servir pendant de nombreuses années de façon sûre et fiable si son installation, son fonctionnement et son entretien respectent les informations contenues dans ce manuel. Dans tout ce manuel, des avertissements de sécurité et des avis de précaution sont identifiés par le symbole « **⚠** ». Assurez-vous de lire tous les avertissements et avis de précaution et de vous y conformer.

**⚠ WARNING** Pour réduire le risque de blessures, ne pas autoriser les enfants à utiliser ce produit. Seul un professionnel d'entretien qualifié peut installer et entretenir cette pompe.

Une connaissance approfondie des instructions de base sur la sécurité est une exigence essentielle pour la bonne utilisation et le fonctionnement sans problème de ce produit. Les réglementations légales de prévention des accidents en vigueur sur le point d'installation et les règles techniques spécifiques acceptées pour un bon fonctionnement doivent être suivies à tout moment.

Un manquement à suivre les instructions de sécurité peut résulter en des effets graves sur la santé, voire même des blessures graves ou mortelles. Un manquement à suivre les instructions de sécurité invalidera dans tous les cas les garanties et la responsabilité de la part du fabricant.

Un manquement à suivre les instructions de sécurité peut conduire aux dangers suivants :

- Échec de fonctions importantes de la piscine et/ou autres équipements.
- Échec des mesures de maintenance prescrites
- Danger aux personnes en raison d'effets électriques, mécaniques ou chimiques.
- Danger à l'environnement en raison de fuite de matières dangereuses
- Dommage aux équipements et bâtiments

## EXIGENCES DE SECURITE DE BASE

Les pompes se conforment aux exigences de base de l'UE en matière de santé et de sécurité. Toutefois, des situations dangereuses peuvent toujours survenir.

Les pompes ne doivent être utilisées et actionnées que dans un état de bon fonctionnement et conformément aux instructions d'utilisation. Tout défaut qui peut affecter la sécurité doit être rectifié immédiatement.

- Afin de garantir la sécurité, toutes les personnes entrant en contact avec le produit doivent avoir connaissance du contenu de ces instructions d'utilisation. On ne peut réduire les risques à un minimum que de cette manière.
- Le produit ne doit pas être utilisé pour tout autre objet que celui spécifié par le fabricant. Cela peut provoquer des risques imprévisibles.
- Les réglementations et lois locales sur la sécurité au travail doivent être suivies à tout moment. Ceci s'applique aux réglementations sur l'environnement.
- Si un danger ou une défaillance sont identifiés, le personnel doit informer immédiatement l'opérateur ou son représentant.
- Les équipements de sécurité ne doivent jamais être retirés ou contournés pendant le fonctionnement normal du produit.
- Si des équipements de sécurité doivent être retirés ou démontés pendant des travaux de maintenance ou de réparation, ils doivent être réinstallés et testés immédiatement ou à l'achèvement des travaux de maintenance ou de réparation.
- Les travaux sur les équipements techniques (par exemple électriques) ne peuvent être réalisés que par du personnel expert et qualifié.
- Veuillez porter une attention particulière quand vous travaillez avec des moteurs électriques. Ils deviennent chauds pendant le fonctionnement. Laissez refroidir le moteur avant de commencer les travaux de réparation. Si cela n'est pas possible, prenez les précautions adaptées, par exemple des gants de protection.
- Le personnel suivant une formation ne peut travailler sur les pompes que sous le contrôle continu d'une personne expérimentée.
- Toutes les instructions de sécurité et les avertissements sur le produit doivent être conservés clairement de manière lisible à tout moment.
- Les pièces chaudes ne doivent pas pouvoir venir en contact avec des explosifs ou des produits chimiques hautement inflammables.

## EQUIPEMENTS ET REGLEMENTATIONS DE SECURITE

Les équipements de sécurité ne doivent être retirés ou désactivés que par des personnes autorisées et uniquement quand cela est absolument nécessaire pour l'exécution du travail spécifique. Les équipements de protection doivent être réactivés et testés immédiatement.

Les travaux sur des composants électriques doivent être entrepris par un électricien qualifié conformément aux pratiques techniques acceptées.

Les instructions de fonctionnement fournies par le fabricant de moteur (le cas échéant) doivent être suivies à tout moment.

L'équipement électrique de la pompe doit être inspecté et vérifié régulièrement. Les défauts comme les raccords lâches ou les câbles endommagés doivent être corrigés immédiatement.

## Conditions générales de la garantie limitée

Avant d'installer votre pompe BlueFlo® LITE, révissez et comprenez tous les avertissements et l'information de sécurité contenus dans ce guide. Le fait de ne pas suivre ces instructions ou une installation incorrecte du nettoyeur peuvent causer des dommages au revêtement de la piscine ou de la membrane de vinyle; Pentair Aquatic Systems décline toute responsabilité pour les réparations ou le remplacement de quelconque de ces structures ou composants de la piscine du client.

Garantie limitée : 2 ans.

Plus d'informations : [www.pentairpooleurope.com](http://www.pentairpooleurope.com)

## Clause de non-responsabilité - Votre piscine et vos équipements

Il y a une multitude de facteurs qui contribuent à la durée de vie de votre piscine.

Veillez noter qu'au fil du temps, la détérioration, la décoloration ou l'effritement de tout revêtement de piscine peuvent être causés séparément par l'âge, un déséquilibre chimique de l'eau de la piscine, une installation incorrecte ou une combinaison de ces facteurs, ainsi que d'autres facteurs.

La même situation s'applique aux piscines creusées avec membrane de vinyle, car les membranes de vinyle sont aussi affectées par l'environnement et des facteurs tels que les propriétés chimiques de l'eau de la piscine, la lumière du soleil et les environs de la piscine. Donc, avec le temps, le vinyle peut devenir cassant et fragile. De plus, les piscines avec membrane de vinyle sont affectées par la qualité de la main-d'œuvre, la composition et l'installation de la membrane, ainsi que la qualité de la main-d'œuvre et de construction des murs de soutènement et de la base de la piscine. Tous ces facteurs peuvent contribuer à un défaut de la membrane. Le fabricant décline toute responsabilité pour les réparations ou le remplacement de quelconque de ces structures ou composants de la piscine du client.

Le propriétaire de la piscine doit assumer l'entière responsabilité pour l'état et l'entretien de la surface de la piscine, de l'eau et de la terrasse.

Avant l'installation du pompe BlueFlo® LITE, veuillez prendre le temps de noter son numéro de série. Vous devrez fournir ce numéro si vous contactez le Service du soutien technique.

NUMÉRO DE SÉRIE \_\_\_\_\_



## BONNE UTILISATION

Le produit est conçu pour le pompage d'eau propre ou légèrement trouble dans les applications de piscines. En cas d'autres supports ou applications, les spécifications exactes d'utilisation doivent être abordées avec le fabricant.

Le produit doit uniquement être employé tel que spécifié dans ces instructions. Toute autre forme d'utilisation constitue un mauvais usage. Dans ce cas, le fabricant n'accepte aucune responsabilité pour tout dommage résultant.

Le produit a été conçu et construit selon les dernières technologies et il est complètement sûr et fiable s'il est utilisé conformément à ces instructions de fonctionnement et toute autre exigence de fonctionnement ou système spécifique.

Cependant, son utilisation peut toujours donner naissance à un danger pour la vie ou la mort de l'opérateur ou d'autres personnes ou un dommage au produit ou autre équipement.

Des modifications du produit sont possibles dans certains cas. Dans de tels cas, une approbation par avance et par écrit doit être obtenue du fabricant.

**Le fabricant n'endosse aucune responsabilité dans les cas suivants :**

- Manquement à observer les informations dans ces consignes d'utilisation
- Utilisation de pièces détachées ou composants non agréés par le fabricant
- Mauvais fonctionnement
- Retrait, modification ou désactivation des équipement de sécurité
- exécution inappropriée des travaux de maintenance

**Utilisée inappropriée**

Le produit peut provoquer des dangers s'il est mal utilisé ou pas dans l'objet intentionnel.

***En aucune circonstance la pompe ne doit être utilisée pour des fluides agressifs, inflammables, toxiques ou autre solution non approuvée.***

***Ne pas utiliser la pompe s'il y a des personnes dans la piscine.***

## TRANSPORT/HIVERNAGE

La totalité de la livraison doit être vérifiée immédiatement à l'arrivée pour en vérifier l'intégralité et tout dommage possible dû au transport. Les réclamations ne seront acceptées que si elles sont déclarées au transporteur ou au fabricant le jour de la livraison.

Les matériaux d'emballage doivent être réutilisés si possible ou jetés conformément aux réglementations locales.

### STOCKAGE / HIVERNAGE

**⚠ WARNING** Un stockage intermédiaire prolongé dans un environnement avec un degré élevé d'humidité dans l'air et des changements de température doit être évité. La condensation peut endommager les bobinages des moteurs et autres pièces métalliques. Cela invalidera la garantie.

La pompe peut également être endommagée si elle exposée au gel. Cela invalidera la garantie. Il ne faut pas employer d'anti-gel puisque cela peut provoquer des dommages aux pièces en plastique.

Dans le cas d'un risque de gel, la pompe doit être correctement vidangée. Pour ce faire, veuillez ouvrir la prise de vidange et permettre à l'eau de s'écouler hors de la pompe. Veuillez également faire égoutter la pompe tête vers le bas pour vidanger toute eau supplémentaire de l'orifice d'évacuation de la pompe. Le système de tuyauterie doit également être vidé complètement.

Veuillez vérifier tous les raccords de tuyaux d'eau lors de la réinstallation de la pompe après l'hiver ou des périodes de stockage prolongées. Ouvrez les robinets d'arrêt dans les conduites d'aspiration et de pression. Fermez tous les robinets de vidange dans le système et sur la pompe. Démarrez la pompe conformément aux instructions données dans le chapitre Installation de ce manuel.

# INSTALLATION

Ce chapitre décrit la procédure pour l'installation et le démarrage de la pompe. Il décrit comment les travaux doivent être exécutés et les caractéristiques réclamant une attention particulière.

L'installation et le démarrage de la pompe peuvent être réalisés uniquement par du personnel agréé adapté.

## GENERALITES

La pompe doit de préférence être installée sur une surface en béton et vissée en place à l'aide des trous sur le socle. La pompe doit être installée dans un endroit sec. Si la pompe est installée dans un endroit humide, une ventilation appropriée doit être assurée afin d'empêcher la formation de condensation. Une ventilation appropriée doit toujours être assurée pour permettre un bon fonctionnement du moteur.

Un espace suffisant doit être autorisé pour l'installation et la maintenance de la pompe. Veuillez noter les dimensions de la pompe et permettre au moins 25 cm d'espace libre autour de l'unité

La pompe doit être installée aussi près que possible de la piscine pour une performance maximale. Veuillez garantir que l'installation répond aux réglementations locales de bonne installation.

Des tuyaux courts et horizontaux doivent être utilisés chaque fois que possible pour éviter les pertes de frottement.

## ALIMENTATION

Le réseau d'alimentation électrique doit présenter les caractéristiques suivantes:

- Présenter une protection différentielle.
- Avoir des valeurs de tension et de fréquence qui correspondent aux valeurs indiquées sur la plaque d'identification du moteur de la machine.
- Disposer d'une puissance de refoulement qui ne soit pas inférieure à la valeur indiquée sur la plaque d'identification du moteur de la machine.
- Présenter un télerupteur avec protection thermique adaptée.
- Présenter un relais thermique autocompensé et réglé en fonction du courant réel absorbé.
- Présenter un disjoncteur avec fusibles de protection.
- Avoir suffisamment de câbles de section pour le courant absorbé par le moteur.

**⚠ WARNING** Une liaison équipotentielle suffisante (min. 4.5mm<sup>2</sup> recommandé), conformément à la réglementation locale, est obligatoire sur tous les composants métalliques de la piscine, y compris la pompe de piscine. Ceci est nécessaire pour la sécurité électrique, ainsi qu'à la réduction du risque de corrosion.

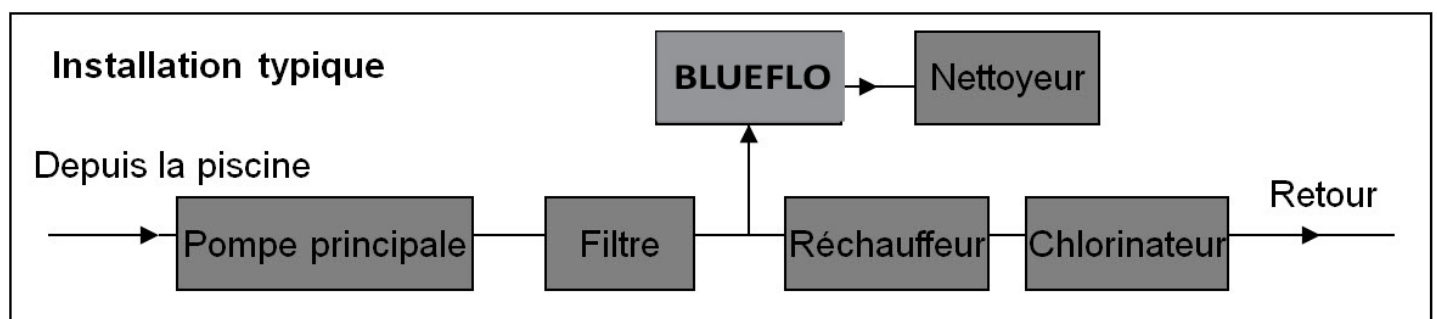
## INSTALLATION

**⚠ DANGER** Toutes les opérations relatives à l'installation doivent être effectuées avec la pompe déconnectée du réseau d'alimentation électrique.

**⚠ WARNING** Ne pas installer la machine dans des locaux où sont présents des gaz et/ou des matériaux inflammables ou explosifs.

**⚠ DANGER** Les pompes sont projetées de façon à ce que toutes les parties en mouvement soient rendues inoffensives grâce à l'utilisation de protections. Ne pas utiliser la pompe si les protections ont été enlevées ou endommagées: ceci pourrait causer de graves dommages aux personnes.

**⚠ DANGER** Sur la ligne d'alimentation de la machine un interrupteur automatique différentiel doit toujours être inséré.



## RACCORDS DE PLOMBERIE

Il faut faire attention afin de garantir qu'aucune fuite ne survienne à la suite de l'installation des raccords. Si les tuyaux d'entrée et de sortie sont raccordés directement à la pompe, n'utilisez que de la bande adhésive en Téflon pour garantir une bonne étanchéité. Si des raccords à vis sont utilisés, ils ne doivent pas être scellés par des composants d'étanchéité. Les raccords à vis se scellent à l'aide d'un joint torique et doivent uniquement être serrés à la main. Les raccords filetés d'entrée et de sortie de la pompe sont équipés d'une butée filetée. Le raccord ne peut être forcé au-delà de ce point.

***Ne serrez pas trop les points de raccord.  
Serrez à la main et pas de plus de 2 tours devraient être suffisants.***

L'installation de tuyauterie doit être démarrée au niveau de la pompe afin d'éviter les contraintes au carter de la pompe lorsque cela est possible. Des poches d'air peuvent être évitées en installant la conduite d'aspiration selon une légère inclinaison vers la pompe. Un tuyau horizontal d'au moins 50cm de long doit être installé sur le raccord d'aspiration.

## RACCORDS ELECTRICITE

Ceci doit être effectué par un électricien certifié. Un séparateur doit être installé dans le système électrique qui permet la déconnexion de l'alimentation électrique avec un espace d'ouverture de contact pour chaque pôle d'au moins 3 mm. Le fabricant n'accepte aucune responsabilité pour les dommages qui peuvent être empêchés par l'installation d'un commutateur externe de protection. Veuillez utiliser les données électriques provenant de la plaque du moteur pour tout calibrage du système électrique. Autrement, toutes les demandes en application de garantie sont invalides dans le cas d'un dommage au moteur et/ou à la pompe.

**⚠ WARNING** Le produit doit être mis à la terre.

En cas d'intervention de cette protection en cas de surchauffe, déconnecter l'alimentation et laisser refroidir le moteur jusqu'à une température tolérable. Avant de réutiliser la pompe, vérifier les causes de la surchauffe du moteur. S'assurer qu'on utilise des câbles homologués conformément aux normes en vigueur avec trois conducteurs de section (2+terre) d'au moins 0,75 mm<sup>2</sup> pour une longueur maximale du câble de 2 m. Si la longueur du câble est supérieure, augmenter la section des conducteurs de façon adéquate conformément aux normes en vigueur.

## BRANCHEMANT A L'INSTALLATION ELECTRIQUE

- ⚠ DANGER** Il revient à l'installateur de s'assurer que l'installation électrique est bien pourvue d'une prise de terre efficace selon les normes en vigueur.
- ⚠ DANGER** Il faut vérifier que l'installation électrique soit dotée d'un interrupteur différentiel à haute sensibilité  $I_{\Delta n} = 30$  mA (EN 61008-1 / EN 61009-1).
- ⚠ DANGER** Avant d'enlever le couvercle de la boîte à bornes du moteur et avant toute intervention sur la machine, s'assurer que l'alimentation soit coupée.

### Pour brancher la machine à l'installation électrique, effectuer les opérations suivantes:

- S'assurer que le moteur soit adapté à la tension et à la fréquence du réseau.
- Sectionner l'installation électrique à l'aide du disjoncteur.
- S'assurer qu'on utilise des câbles homologués conformément aux normes en vigueur avec trois conducteurs de section (2+terre) d'au moins 0,75 mm<sup>2</sup> pour une longueur maximale du câble de 2 m. Si la longueur du câble est supérieure, augmenter la section des conducteurs de façon adéquate conformément aux normes en vigueur.

### Utiliser comme conducteur de branchement:

- à l'extérieur → câble H07RN-F
- à l'intérieur → câble H05RN-F ou H07RN-F
- Pour une température ambiante de 40° à 50°C, il faut utiliser des câbles d'alimentation résistant à une température d'au moins 95°C et avec une section minimum des conducteurs d'1.5 mm<sup>2</sup>
- La pompe a une protection thermo-ampéremétrique à réarmement automatique incorporée dans le moteur
- La ligne électrique d'alimentation doit être dotée d'un dispositif de protection contre les courts-circuits, d'un interrupteur différentiel RCD (dispositif de courant résiduel) à haute sensibilité (30mA) et sécurisée par un fusible retardé ou par un interrupteur magnétothermique.
- La ligne électrique d'alimentation doit être dotée d'un interrupteur général extérieur avec une distance d'ouverture des contacts selon la norme locale en vigueur.

Les installations et modifications doivent être effectuées par un électricien qualifié.

Schéma de câblage / de connexion peut être trouvé à la fin de ce mode d'emploi dans la section «Caractéristiques techniques»

S'assurer qu'on utilise des câbles homologués conformément aux normes en vigueur avec trois conducteurs de section (2+terre) d'au moins 0,75 mm<sup>2</sup> pour une longueur maximale du câble de 2 m. Si la longueur du câble est supérieure, augmenter la section des conducteurs de façon adéquate conformément aux normes en vigueur.

## FONCTIONNEMENT

**Ne jamais permettre à la pompe de fonctionner à sec (sans eau).** Cela provoquera des dommages au joint de l'arbre et aux composants internes en plastique.

### DEMARRAGE DE LA POMPE

Dans une application du type à aspiration par gravité (pompe en dessous du niveau de l'eau ou en ligne avec la pompe principale), la pompe démarre dès que les robinets d'arrêt dans l'orifice d'entrée sont ouverts.

Dans les applications non remplies par gravité, la pompe doit être amorcée en ajoutant de l'eau à l'intérieur du tuyau d'aspiration et de la cavité de la pompe.

La pompe commence à fonctionner après allumage. Le temps d'action de l'aspiration dépend de la hauteur d'aspiration et de la longueur de la conduite d'aspiration.

Si la pompe ne fonctionne pas, vérifiez que tous les robinets d'arrêt sont ouverts et qu'il n'y a pas de fuite dans la conduite d'aspiration dans laquelle l'air peut pénétrer la conduite d'aspiration, empêchant ainsi l'activation.

# MAINTENANCE

La maintenance, le nettoyage et l'inspection réguliers des pompes sont extrêmement importants. Cela réduira les problèmes et augmentera la sécurité et la fiabilité opérationnelles.

## MAINTENANCE

La maintenance du produit doit être réalisée uniquement par du personnel spécialement qualifié.

Avant de démarrer la pompe après une absence d'utilisation prolongée ou lors du redémarrage au printemps, on conseille de tourner l'arbre du moteur, avec la pompe éteinte et la pompe pleine d'eau, au moyen d'un ventilateur de moteur à l'aide d'un tournevis. Cela libérera le joint de l'arbre et facilitera le démarrage de la pompe.

## PIECES DE REMPLACEMENT

Les pièces de remplacement doivent se conformer aux exigences techniques spécifiées par le fabricant. C'est toujours garanti quand on utilise des pièces de remplacement originales. Nous n'offrons une garantie que pour les pièces de remplacement que nous fournissons. Nous n'acceptons aucune responsabilité en cas de dommage provoqué par l'utilisation de pièces de remplacement ou accessoires non autorisés.



Only for EU countries

Do not dispose of electric tools together with household waste material!

In observance of European Directive 2002/96/EC on waste electrical and electronic equipment and its implementation in accordance with national law, electric tools that have reached the end of their life must be collected separately and returned to an environmentally compatible recycling facility.

# DÉPANNAGE

LA POMPE NE S'AMORCERA PAS	Insuffisance d'eau dans le carter de la pompe
	Pompe principale ne fournissant pas d'eau
	Robinet entrant fermé
	Fuite d'air dans la conduite d'aspiration
LE MOTEUR NE FONCTIONNE PAS	L'alimentation est coupée
	Le coupe-circuit est déclenché
	La pompe est éteinte par le circuit basé sur le temps
	La connexion du moteur est incorrecte
	La tête de pompe est bloquée par des débris
FAIBLE ECOULEMENT - PRESSION DE FILTRE ELEVEE	Le filtre est sale
	Restriction dans la conduite de retour
FAIBLE ECOULEMENT - FAIBLE PRESSION DU FILTRE	La plomberie d'entrée est bloquée
	La tête de pompe est bloquée par des débris
	Fuite d'air dans la conduite d'aspiration
	La rotation du moteur est incorrecte
POMPE BRUYANTE	Fuite d'air dans la conduite d'aspiration
	Débris dans les conduites de plomberie ou le carter de la pompe
	Le diamètre de la conduite d'aspiration est trop petit
	Mauvaise installation de la pompe
	Cavitation (restriction d'eau)
CHAUFFAGE DU MOTEUR	Ventilation insuffisante pour le moteur
	Taille du câblage trop petite

## Atención al cliente

HERENTALS, BÉLGICA (de 8:30 a.m. a 4:30 p.m.) HCE  
Sitio web : [www.pentairpooleurope.com](http://www.pentairpooleurope.com)  
Correo electrónico: [poolemea@pentair.com](mailto:poolemea@pentair.com)

El fabricante, Pentair, tiene derecho a modificar los productos sin previo aviso siempre y cuando no modifique realmente sus características.

© 2016 Pentair, Inc. Todos los derechos reservados. Este documento está sujeto a cambios sin previo aviso.

Marcas comerciales y exenciones de responsabilidad: todas las marcas comerciales y logotipos de Pentair son propiedad de Pentair, Inc. BlueFlo® y Pentair Aquatic Systems™ son marcas comerciales de Pentair Inc. y/o de sus sociedades filiales en los Estados Unidos u otros países. Salvo que se indique lo contrario, los nombres y marcas de terceros que figuran en este documento no se utilizan para indicar una afiliación o aprobación entre los propietarios de estos nombres y marcas y Pentair Inc. Esos nombres comerciales y marcas pueden ser marcas comerciales o marcas registradas de estas terceras partes.

**⚠ DANGER** El incumplimiento de las instrucciones de este manual puede provocar efectos negativos graves para la salud e incluso lesiones graves o mortales. El incumplimiento de las instrucciones de este manual invalidará todas las garantías y la responsabilidad por parte del fabricante. ANTES DE UTILIZAR ESTE BOMBA, LOS INSTALADORES, OPERADORES Y PROPIETARIOS DEBEN LEER ESTAS ADVERTENCIAS Y LAS INSTRUCCIONES DEL MANUAL DEL PROPIETARIO. ESTAS ADVERTENCIAS Y EL MANUAL DEL PROPIETARIO DEBEN PERMANECER SIEMPRE EN PODER DEL PROPIETARIO.

## INSTRUCCIONES DE SEGURIDAD Y ADVERTENCIAS IMPORTANTES



### Aviso importante:

**⚠ WARNING** **Atención instalador:** esta guía contiene información importante sobre la instalación, el funcionamiento y el uso seguro de este producto. Se debe proporcionar esta información al dueño y/u operador del equipo tras la instalación del bomba.

**Atención usuario:** este manual contiene información importante que le ayudará a utilizar y mantener este bomba. Por favor, consérvelo para futuras consultas. Consulte a Pentair cualquier duda relacionada con este equipo.

Antes de instalar este producto, lea y cumpla todos los avisos e instrucciones que incluye. No seguir las instrucciones ni prestar la debida atención a las advertencias puede ocasionar daños en la propiedad, lesiones graves y hasta la muerte. Visite [www.pentairpooleurope.com](http://www.pentairpooleurope.com) para obtener ejemplares gratuitos de este manual de instrucciones.

### Información para el consumidor y aspectos de seguridad

Este bomba está diseñado y fabricado para proporcionar muchos años de servicio seguro y fiable siempre que se instale, opere y mantenga siguiendo las instrucciones incluidas en este manual. A lo largo del mismo, las advertencias y precauciones relacionadas con la seguridad se indicarán con el símbolo "⚠". Asegúrese de leer y cumplir todas las advertencias y precauciones.

**⚠ WARNING** Para reducir el riesgo de lesiones, no permita que los niños utilicen este producto. Las tareas de inspección y mantenimiento de este producto solo podrán ser realizadas por un profesional debidamente cualificado.

El conocimiento profundo de las instrucciones de seguridad básicas es un requerimiento esencial para el uso seguro y el funcionamiento adecuado de este producto. Deben seguirse en todo momento las regulaciones legales de prevención de accidentes vigentes en el punto de instalación, así como las instrucciones del especialista aceptado, las normas técnicas para la seguridad y las prácticas de trabajo adecuadas.

Si no se siguen de las instrucciones de seguridad, pueden producirse graves efectos adversos sobre la salud, o incluso heridas graves o mortales. El incumplimiento de las instrucciones de seguridad invalidará en todos los casos la garantía y la responsabilidad por parte del fabricante.

El incumplimiento de las instrucciones de seguridad puede provocar los siguientes peligros:

- Fallo de funciones importantes de la piscina y/o otro equipo.
- Fallo de las medidas de mantenimiento prescritas
- Peligro para personas debido a efectos eléctricos, mecánicos o químicos
- Peligro para el medioambiente debido a la fuga de materiales peligrosos
- Daños en el equipo y la construcción

## REQUERIMIENTOS DE SEGURIDAD BASICOS

Las bombas cumplen los requerimientos básicos de seguridad y salud de la UE. No obstante, aún pueden producirse situaciones peligrosas. Las bombas sólo deben ser utilizadas y operadas cuando se encuentren en condiciones de funcionamiento adecuadas y de acuerdo con estas instrucciones. Debe rectificarse inmediatamente cualquier fallo que pudiera afectar a la seguridad.

- Para garantizar la seguridad, todas las personas que entren en contacto con el producto deben ser conscientes del contenido de estas instrucciones de funcionamiento. Sólo de esta forma se pueden reducir al mínimo los riesgos.
- No se debe usar el producto para ningún otro propósito distinto al especificado por el fabricante. Esto puede provocar riesgos imprevisibles.
- Se deben cumplir en todo momento las regulaciones y leyes laborales y de seguridad locales. Lo mismo aplica a las regulaciones medioambientales.
- Si se identificaran fallos o peligros, el personal deberá informar al operador o a su representante de inmediato.
- Los dispositivos de seguridad nunca se deben quitar o eludir durante el funcionamiento normal del producto.
- Si los dispositivos de seguridad han sido retirados o desmontados durante el el trabajo de mantenimiento o reparación, deben volver a ser equipados y probados inmediatamente después de finalizar el trabajo de mantenimiento o reparación.
- El trabajo sobre el equipo técnico (por ejemplo, eléctrico) sólo debe ser realizado por personal cualificado y especializado.
- Tenga especial cuidado cuando trabaje con motores eléctricos. Se calientan durante el funcionamiento. Deje que el motor se enfríe antes de iniciar el trabajo de reparación. Si no fuera posible, adopte las medidas de precaución adecuadas, por ejemplo, vestir guantes de protección.
- El personal que reciba la formación sólo puede trabajar sobre las bombas bajo la supervisión continua de una persona experimentada.
- Se deben mantener todas las instrucciones y advertencias de seguridad en un estado perfectamente legible en todo momento.
- No se debe permitir que los componentes que se calientan entren en contacto con explosivos o productos químicos altamente inflamables.

## DISPOSITIVOS Y REGULACIONES DE SEGURIDAD

Los dispositivos de protección sólo pueden ser retirados o desactivados por personas debidamente autorizadas, y sólo cuando resulte absolutamente necesario para la realización de trabajos específicos. Los dispositivos de protección deben ser reactivados y probados inmediatamente.

El trabajo sobre los componentes eléctricos debe ser realizado por un electricista cualificado de acuerdo con las prácticas técnicas aceptadas. Deben cumplirse en todo momento las instrucciones de funcionamiento que facilite el fabricante del motor (si son aplicables). El equipo eléctrico de la bomba debe ser inspeccionado y verificado regularmente. Los fallos, como conexiones sueltas o cables dañados, deben ser corregidos inmediatamente.

## Términos y condiciones de garantía limitada

Antes de instalar su BlueFlo® LITE, lea y entienda todas las advertencias y la información relativa a la seguridad y a la garantía que incluye este manual. No seguir las instrucciones o instalar el pompa inadecuadamente puede ocasionar daños al acabado de la piscina o al revestimiento de vinilo. Pentair Aquatic Systems no se hará responsable de las reparaciones o de la sustitución de ninguna de estas estructuras o componentes de la piscina del cliente.

Garantía limitada: 2 años

Más información: [www.pentairpooleurope.com](http://www.pentairpooleurope.com)

## Exención de responsabilidad - Acerca de su piscina y equipos

Existen múltiples factores que contribuyen a la longevidad de su piscina.

Por favor, tenga en cuenta que con el paso del tiempo es posible que se produzca deterioro, decoloración o fragilidad en los revestimientos de piscina, independientemente de o en combinación con el tiempo de uso, un desequilibrio en la química del agua, una instalación inadecuada y otros factores.

La misma situación se da en piscinas de revestimiento de vinilo que están enterradas, porque los revestimientos de vinilo también se ven afectados por el medio ambiente y por factores como la química del agua de la piscina, la luz solar y los alrededores de la piscina. Por lo tanto, con el paso del tiempo, el vinilo puede volverse frágil y débil. Además, las piscinas con revestimiento de vinilo se ven afectadas por la calidad, la composición e instalación del revestimiento y la calidad de la construcción de las paredes de contención y de la base de la piscina. Todos estos factores pueden contribuir al fallo del revestimiento. El fabricante no se hará responsable de las reparaciones ni de la sustitución de ninguna de estas estructuras o componentes de la piscina del cliente. El propietario de la piscina es el único responsable de las condiciones y del mantenimiento de la superficie de la piscina, del agua y del borde.

Antes de instalar esta bomba BlueFlo® LITE, por favor, tómese un momento para anotar el número de serie. Se le pedirá este número cuando contacte con el Departamento de soporte técnico.

Nº DE SERIE \_\_\_\_\_

## USO CORRECTO

El producto se diseña para bombear agua limpia o ligeramente turbia en aplicaciones para piscinas. Si existen otros medios o aplicaciones involucrados, debe comentar con el fabricante la especificación de uso exacta.

El producto sólo debe emplearse tal y como se especifica en estas instrucciones. Cualquier otra forma de uso constituye un uso incorrecto. En este caso, el fabricante no acepta ninguna responsabilidad por cualquier daño resultante.

El producto se ha diseñado y construido con la tecnología más reciente, y es completamente seguro y fiable si se utiliza de acuerdo con estas instrucciones de funcionamiento y cualquier otro sistema específico o requerimientos de funcionamiento. No obstante, su uso aún puede dar lugar a peligro para la vida y las extremidades del operador u otras personas, o dañar el producto u otro equipo.

En ciertos casos pueden realizarse modificaciones al producto. En tales casos, debe obtenerse la autorización previa por escrito del fabricante.

**El fabricante no acepta ninguna responsabilidad en los siguientes casos:**

- Incumplimiento de la información de estas instrucciones de funcionamiento
- Uso de piezas de repuesto o componentes no aprobados por el fabricante
- Funcionamiento incorrecto
- Retirada, modificación o desactivación de los dispositivos de seguridad
- Realización de trabajo de mantenimiento inadecuado

## USO INCORRECTO

El producto puede provocar riesgos si se utiliza de forma incorrecta o para un uso distinto al pretendido.

***Bajo ninguna circunstancia debe usar la bomba para fluidos agresivos, inflamables, tóxicos u otras soluciones inapropiadas.***

***Está prohibido utilizar las bombas de esta serie si hay personas en la piscina.***

## TRANSPORTE / PREPARACIÓN PARA EL INVIERNO

La entrega completa debe ser comprobada inmediatamente después de su recepción para verificar que esté completa y si existe algún posible daño debido al transporte. Sólo se aceptarán las reclamaciones si se informa de ellas al transportista o fabricante el día de la recepción.

Los materiales de embalaje deben ser reutilizados si es posible, o deben ser eliminados en cumplimiento de las regulaciones locales.

## ALMACENAMIENTO - PREPARACIÓN PARA EL INVIERNO

**⚠ WARNING** Debe evitarse el almacenamiento intermedio prolongado en un entorno con elevada humedad en el aire y temperaturas cambiantes. La condensación puede dañar el bobinado del motor y otras piezas metálicas. Esto invalidará la garantía. La bomba también puede dañarse si se expone a las heladas. Esto también invalidará la garantía. No se debe usar un anticongelante, debido a que puede provocar daños en las piezas de plástico.

La bomba debe ser drenada en profundidad en caso de riesgo de heladas. Para hacerlo, abra el tapón de drenaje y deje que el agua se drene fuera de la bomba. Ponga también la bomba boca abajo para drenar cualquier agua adicional almacenada en el puerto de descarga de la bomba. El sistema de conducciones también debe vaciarse de agua por completo. Compruebe las conexiones de las tuberías de agua cuando reinstale la bomba después del invierno o de periodos de almacenamiento prolongados. Abra las válvulas de cierre en las líneas de aspiración y presión. Cierre todas las válvulas de drenaje en el sistema y en la bomba. Arranque la bomba de acuerdo con las instrucciones que se facilitan en la sección Instalación de este manual.



# INSTALACIÓN

Esta sección describe el procedimiento de instalación y arranque de la bomba. Describe cómo se debe realizar el trabajo y las características que requieren atención especial.

La instalación y el arranque de la bomba sólo puede ser realizado por personal debidamente autorizado.

## GENERAL

Preferiblemente, la bomba debería ser instalada sobre una superficie de cemento y atornillada en su lugar mediante los orificios de la base. La bomba debe instalarse en un lugar seco. Si la bomba se instala en un lugar húmedo, debe garantizarse una ventilación adecuada para evitar la condensación. Debe garantizarse siempre una ventilación adecuada para permitir el funcionamiento correcto del motor.

Debe permitirse suficiente espacio para la instalación y mantenimiento de la bomba. Tenga en cuenta las dimensiones de la bomba y permita un espacio libre de al menos 25 cm alrededor de la unidad.

La bomba debería instalarse tan cerca como sea posible de la piscina para obtener un rendimiento máximo. Asegúrese de que la instalación cumple las regulaciones locales de instalación.

Utilice tuberías cortas y rectas siempre que sea posible para evitar pérdidas debidas a la fricción.

## ALIMENTACIÓN

La red de alimentación debe reunir las siguientes características:

- Poseer protección diferencial.
- Poseer valores de tensión y de frecuencia correspondientes a aquellos indicados en la placa de datos del motor de la máquina.
- Disponer de potencia erogable no inferior al valor indicado en la placa de datos del motor de la máquina.
- Poseer un contactor con protección térmica adecuada.
- Poseer un relé térmico regulado en base a la corriente real absorbida.
- Poseer un interruptor seccionador con fusibles de protección
- Poseer cables de sección suficiente para la corriente absorbida del motor.

**⚠ WARNING** Conforme a la normativa local, se requiere un cable de conexión adicional (mínimo recomendado de 4,5 mm<sup>2</sup>) en todos los componentes metálicos de la piscina, incluyendo la bomba para piscinas. Se requiere para la seguridad eléctrica, así como para reducir el riesgo de corrosión.

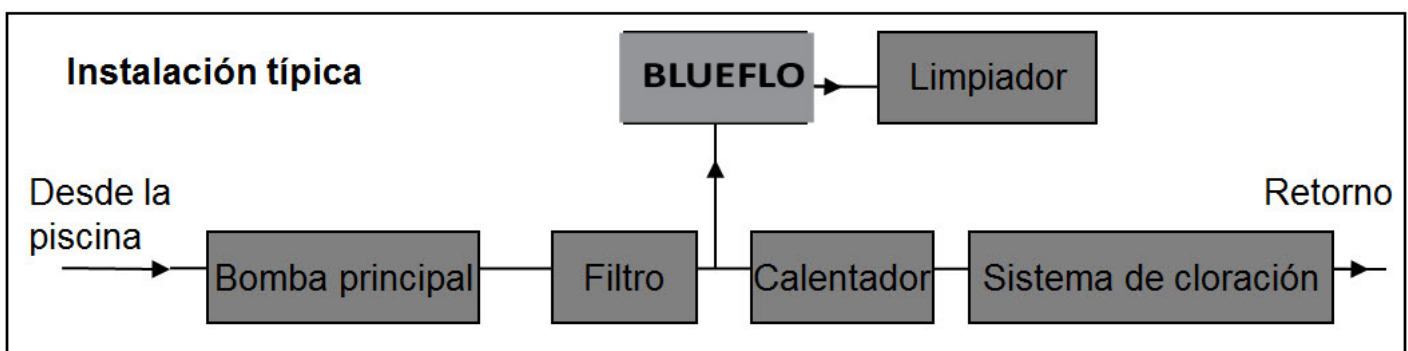
## INSTALACIÓN

**⚠ DANGER** Todas las operaciones relativas a la instalación tienen que ser efectuadas con la electrobomba desconectada de la red de alimentación.

**⚠ WARNING** No instalar la máquina en locales donde hay presencia de gases y/o materiales inflamables o explosivos.

**⚠ DANGER** Las electrobombas han sido proyectadas de manera tal que todas sus partes en movimiento estén protegidas y por lo tanto resulten inofensivas. Por lo tanto no usar la electrobomba sin dichas protecciones o con las mismas dañadas: pueden ocasionar graves daños a las personas.

**⚠ DANGER** La línea de alimentación de la máquina tiene que poseer siempre un interruptor



## CONEXIONES DE LAS CONDUCCIONES

Debe extremarse el cuidado para evitar fugas después de de la instalación de las conexiones

Si las tuberías de entrada y salida se conectan directamente ea la bomba, use sólo cinta de sellado de Teflon para garantizar un sellado correcto.

Si se usan accesorios roscados, no deben ser sellados con compuestos de sellado. Selle los accesorios roscados con la ayuda de una junta tórica y apretando con la mano.

Las conexiones roscadas de entrada y salida de la bomba se equipan con topes de rosca. El accesorio de conexión no puede ser forzado más allá de este punto.

**NO apriete en exceso los puntos de conexión.  
Menos de dos giros realizados con la mano deberían ser suficientes.**

Cuando sea posible, la instalación de las tuberías debería iniciarse en la bomba para evitar tensiones en el alojamiento de la bomba. Deben evitarse las bolsas de aire instalando la línea de aspiración con una ligera inclinación hacia la bomba. Debería instalarse una tubería recta de al menos 50 cm hacia la conexión de aspiración.

## SISTEMA ELÉCTRICO CONEXIONES

Debe ser realizado por un Electricista certificado. Debe instalarse un separador en el sistema eléctrico que permita la desconexión del suministro de alimentación con un espacio de apertura de contacto para cada polo de al menos 3 mm. El fabricante no acepta ninguna responsabilidad por los daños en el motor que puedan evitarse mediante la instalación de un interruptor de protección externo. Use los datos eléctricos que aparecen en la placa de identificación del motor para cualquier dimensionamiento del sistema eléctrico. De lo contrario, todas las reclamaciones de la garantía serán nulas en caso de daños en el motor y/o la bomba.

**⚠ WARNING** El producto debe tener la toma tierra conectada

En caso de intervención de esta protección por sobrecalentamiento, desconectar la alimentación y dejar enfriar el motor hasta que vuelva a las temperaturas admisibles. Antes de volver a utilizar la bomba, comprobar la causa del sobrecalentamiento del motor.

Asegurarse de usar cables homologados de acuerdo con las normativas vigentes con tres conductores de sección (2 + tierra) de al menos 0,75 mm<sup>2</sup> con una longitud máxima del cable de 2 m. Si la longitud del cable es superior la sección de los conductores deberá aumentarse adecuadamente de acuerdo con las normativas vigentes.

## CONEXIÓN CON LA RED ELÉCTRICA

**⚠ DANGER** Antes de quitar la tapa de la caja de bornes del motor y antes de cualquier intervención en la máquina, verificar que la línea de alimentación de corriente esté desactivada.

**⚠ DANGER** Es necesario verificar que el equipo de alimentación eléctrica posea un interruptor diferencial de alta sensibilidad  $I_{\Delta n} = 30 \text{ mA}$  (EN 61008 -1 / EN 61009 - 1).

**⚠ DANGER** Es responsabilidad del instalador verificar que el equipo de alimentación eléctrica posea una eficiente toma a tierra según las normas vigentes.

**Para conectar la máquina a la red eléctrica, seguir las siguientes operaciones:**

- Verificar que el motor corresponda a la tensión y a la frecuencia de la red.
- Seccionar el equipo eléctrico mediante el interruptor seccionador.
- Asegurarse de usar cables homologados de acuerdo con las normativas vigentes con tres conductores de sección (2 + tierra) de al menos 0,75 mm<sup>2</sup> con una longitud máxima del cable de 2 m. Si la longitud del cable es superior la sección de los conductores deberá aumentarse adecuadamente de acuerdo con las normativas vigentes.

**Como conductor de conexión es necesario utilizar:**

- al aire libre → cable H07RN-F
- en espacios interiores → cable H05RN-F o H07RN-F.
- Para la temperatura ambiente entre 40° y 50°C se deberán utilizar cables de alimentación con características para temperaturas de al menos 95°C y con un grueso mínimo de 1.5 mm<sup>2</sup>
- Las electrobombas monofasicas poseen una proteccion termoamperimetrica con rearme automatico incorporada.
- La línea eléctrica de alimentación debe estar dotada de un interruptor general externo con una distancia de apertura de los contactos según la norma local vigente.

Las instalaciones y modificaciones debe llevarlas a cabo exclusivamente un electricista autorizado.

Diagrama de cableado / conexión se puede encontrar al final de este manual de instrucciones en la sección "Datos técnicos"

Asegurarse de usar cables homologados de acuerdo con las normativas vigentes con tres conductores de sección (2 + tierra) de al menos 0,75 mm<sup>2</sup> con una longitud máxima del cable de 2 m. Si la longitud del cable es superior la sección de los conductores deberá aumentarse adecuadamente de acuerdo con las normativas vigentes.

## OPERACIÓN

**Nunca permita que la bomba funcione en seco (sin agua).** Esto dañará la junta del eje rotatorio y los componentes de plástico internos.

### ARRANQUE DE LA BOMBA

En una aplicación de tipo aspiración inundada (bomba por debajo del nivel del agua o en línea con la bomba principal), la bomba arranca tan pronto como se abren las válvulas de cierre en la admisión.

En aplicaciones no inundadas, la bomba debe estar cebada añadiendo agua dentro de la tubería de aspiración y la cavidad de la bomba.

La bomba comienza a funcionar al encenderla. La duración de la acción de aspiración depende de la altura de aspiración y la longitud de la línea de aspiración.

Si la bomba no funciona, compruebe que todas las válvulas de cierre estén abiertas y que no existen fugas en la línea de aspiración por las que podría entrar aire en la línea de agua impidiendo la activación.

# MANTENIMIENTO

El mantenimiento, limpieza e inspección regular de las bombas es extremadamente importante. Esto reducirá los problemas e incrementará la seguridad y fiabilidad del funcionamiento.

## MANTENIMIENTO

El mantenimiento del producto sólo debería ser realizado por personal cualificado específicamente.

Antes de arrancar la bomba después de un periodo de inactividad prolongado o al volver a arrancarla en primavera, se recomienda girar el eje del motor, con la bomba desconectada y llena de agua, mediante el ventilador del motor, con el uso de un destornillador. Esto liberará el sello del eje y facilitará el arranque del motor.

## PIEZA DE REPUESTO

Las piezas de repuesto deben satisfacer los requerimientos técnicos especificados por el fabricante. Esto se garantiza siempre que se emplean piezas de repuesto originales. Únicamente ofrecemos una garantía para las piezas de repuesto originales que suministramos. No aceptamos responsabilidad alguna en el caso de daños debidos al uso de piezas de repuesto o accesorios no autorizados.



Only for EU countries

Do not dispose of electric tools together with household waste material!

In observance of European Directive 2002/96/EC on waste electrical and electronic equipment and its implementation in accordance with national law, electric tools that have reached the end of their life must be collected separately and returned to an environmentally compatible recycling facility.

# RESOLUCIÓN DE PROBLEMAS

LA BOMBA NO SE CEBARÁ	Agua insuficiente en la carcasa de la bomba
	La bomba principal no proporciona agua
	Válvula de entrada cerrada
	Fuga de aire en la línea de aspiración
EL MOTOR NO FUNCIONA	La alimentación no está activada
	El disyuntor se ha disparado
	La bomba está apagada por un circuito programado
	La conexión del motor es incorrecta
	El rotor está bloqueado por residuos
CUADAL BAJO - PRESIÓN ALTA EN EL FILTRO	El filtro está sucio
	Restricción en la línea de retorno
CUADAL BAJO - PRESIÓN BAJA EN EL FILTRO	La conducción de entrada está bloqueada
	El rotor está bloqueado por residuos
	Fuga de aire en la línea de aspiración
	La rotación del motor es incorrecta
BOMBA RUIDOSA	Fuga de aire en la línea de aspiración
	Residuos en las líneas de tuberías o en el alojamiento de la bomba
	El diámetro de la línea de aspiración es demasiado pequeño
	Instalación incorrecta de la bomba
	Cavitación (restricción de agua)
CALENTAMIENTO DEL MOTOR	Ventilación insuficiente del motor
	El tamaño del cableado es demasiado pequeño

## Assistenza clienti

HERENTALS, BELGIO (dalle 8:30 alle 16:30) CET

Sito web: [www.pentairpooleurope.com](http://www.pentairpooleurope.com)

E-mail: [poolemea@pentair.com](mailto:poolemea@pentair.com)

Il produttore, Pentair, ha il diritto di modificare i prodotti senza preavviso, nella misura in cui tali modifiche non alterino le caratteristiche essenziali degli stessi.

© 2016 Pentair, Inc. Tutti i diritti riservati. Il presente documento è soggetto a modifica senza preavviso.

Marchi di fabbrica ed esclusioni di responsabilità: tutti i marchi commerciali e i loghi Pentair sono di proprietà di Pentair, Inc. BlueFlo® e Pentair Aquatic Systems™ sono marchi di fabbrica di Pentair Inc. e/o delle sue affiliate negli Stati Uniti e/o in altri paesi. Salvo esplicita indicazione, i nomi e i marchi di terzi eventualmente contenuti nel presente documento non sono utilizzati per indicare un'affiliazione o supporto fra i proprietari di tali nomi e marchi e Pentair Inc. Tali nomi e marchi possono essere marchi commerciali o marchi registrati dei terzi citati.

**⚠ DANGER** Il mancato rispetto delle istruzioni del presente manuale può comportare conseguenze gravi per la salute o addirittura conseguenze mortali. Il mancato rispetto delle istruzioni del presente manuale in qualsiasi caso rende nulle le garanzie e responsabilità da parte del produttore. GLI INSTALLATORI, I TECNICI E I PROPRIETARI DEVONO LEGGERE LE PRESENTI AVVERTENZE E TUTTE LE ISTRUZIONI CONTENUTE NEL MANUALE D'USO PRIMA DI UTILIZZARE IL POMPA. LE PRESENTI AVVERTENZE E IL MANUALE D'USO DEVONO ESSERE LASCIATI AL PROPRIETARIO DELLA CASA.

## AVVERTENZA IMPORTANTE E ISTRUZIONI DI SICUREZZA




### Avvertenza importante:

**⚠ WARNING** **Avviso per gli installatori:** questa guida contiene informazioni importanti per l'installazione, il funzionamento e l'uso sicuro del prodotto. Tali informazioni devono pertanto essere consegnate al proprietario e/o all'utente di questa apparecchiatura dopo l'installazione del pompa.

**Avviso per gli utenti:** questo manuale contiene informazioni importanti per il funzionamento e la manutenzione di questo produttore. Va conservato per futura consultazione. Rivolgersi a Pentair per eventuali domande sull'apparecchiatura.

Prima di installare il prodotto, leggere attentamente e rispettare tutte le istruzioni e le avvertenze contenute nel presente manuale. La mancata osservanza delle istruzioni e delle avvertenze sulla sicurezza potrebbe provocare danni alle cose, lesioni personali o morte. Visitare [www.pentairpooleurope.com](http://www.pentairpooleurope.com) per ricevere ulteriori copie gratuite di queste istruzioni.

### Informazioni per il consumatore e sicurezza

Il pompa è progettato e realizzato per garantire diversi anni di funzionamento sicuro e affidabile, purché installato, utilizzato e sottoposto a manutenzione in base alle informazioni contenute nel presente manuale. In tutto il manuale, avvisi di sicurezza e avvertenze sono identificati dal simbolo “”. Accertarsi di leggere tutte le avvertenze e gli avvisi e comportarsi di conseguenza.

**⚠ WARNING** Per evitare il rischio di infortuni, impedire l'uso di questo prodotto da parte dei bambini. La manutenzione deve essere effettuata esclusivamente da personale qualificato.

La perfetta conoscenza delle istruzioni di sicurezza di base è un requisito fondamentale per un uso sicuro e corretto. Devono essere rispettate, in qualsiasi momento, le leggi in materia di sicurezza sul lavoro in vigore nel luogo di installazione, nonché i regolamenti relativi alle specifiche tecniche per l'uso corretto e sicuro del prodotto.

Il mancato rispetto delle istruzioni di sicurezza può produrre gravi conseguenze per la salute, ferite gravi o anche mortali. Il mancato rispetto delle istruzioni di sicurezza rende prive di effetto, in qualsiasi caso, tutte le responsabilità del produttore.

Il mancato rispetto delle istruzioni di sicurezza può causare i pericoli di seguito indicati:

- Non funzionamento di dispositivi importanti della piscina e/o di altri dispositivi
- Impossibilità di procedere alla manutenzione
- Pericolo per le persone derivato da effetti elettrici, meccanici o chimici
- Pericolo ambientale per fuoriuscita di materiali pericolosi
- Danni agli strumenti e al sito di costruzione

## MISURE DI SICUREZZA FONDAMENTALI

Le pompe rispettano le disposizioni di base in materia di salute e di sicurezza dell'UE. Possono comunque verificarsi situazioni di pericolo. Le pompe devono essere utilizzate esclusivamente in condizioni operative adeguate e ai sensi di quanto indicato in queste istruzioni. Le situazioni che possono ridurre il livello di sicurezza devono essere immediatamente rettificate.

- Per motivi di sicurezza, chiunque entri in contatto con il prodotto deve conoscere il contenuto di queste istruzioni. Solo così possono essere ridotti al minimo gli eventuali rischi.
- Utilizzare il prodotto solo per la destinazione d'uso indicata dal produttore. Usi diversi possono produrre rischi imprevisti.
- Le leggi ed i regolamenti nazionali in vigore in materia di sicurezza devono essere rispettati. Lo stesso si applica per le leggi in materia ambientale.
- Se si riscontrano difetti o pericoli, il personale deve informarne, immediatamente, l'operatore o un suo rappresentante.
- Le strumentazioni di sicurezza non devono mai essere rimosse o disattivate nel normale uso del prodotto.
- Ove sia necessario rimuovere o smantellare le strumentazioni di sicurezza per manutenzione o riparazione, queste devono essere reinstallate e verificate immediatamente dopo la fine della manutenzione o della riparazione.
- Il lavoro eseguito su parti tecniche (ad es., elettriche) deve essere svolto solo da personale qualificato e specializzato.
- Porre particolare attenzione quando si lavora su motori elettrici. I motori elettrici, nel corso dell'uso, sviluppano alte temperature. Prima di procedere alle riparazioni far raffreddare il motore e, se non è possibile, adottare misure di sicurezza adeguate (ad es., guanti protettivi).
- Il personale addestrato o istruito all'uso deve lavorare sulle pompe solo con la supervisione continua di una persona di comprovata esperienza.
- Tutte le istruzioni e gli avvisi di sicurezza del prodotto devono essere sempre ben leggibili.
- Le parti calde non devono mai venire a contatto con materiali esplosivi o con prodotti chimici altamente infiammabili.

## DISPOSITIVI E REGOLE DI SICUREZZA

I dispositivi di protezione possono essere rimossi o disattivati solo da personale preparato ed autorizzato, e solo quando sia indispensabile per l'esecuzione di una specifica operazione. I dispositivi di sicurezza devono essere immediatamente riattivati e verificati

Il lavoro su parti elettriche deve essere eseguito da elettricisti qualificati con tecniche di lavoro accettate.

Le istruzioni d'uso fornite dal produttore del motore (ove applicabile) devono essere sempre rispettate.

La parte elettrica della pompa deve essere ispezionata e controllata ad intervalli regolari. Difetti quali connessioni non salde o cavi danneggiati devono essere immediatamente corretti.

## Termini e condizioni della garanzia limitata

Prima di installare BlueFlo® LITE, leggere e comprendere tutte le avvertenze e le informazioni su garanzia e sicurezza di questa guida. La mancata osservanza delle istruzioni o un'installazione non corretta del pulitore potrebbero provocare danni alla finitura della piscina o al rivestimento vinilico. Pentair Aquatic Systems declina qualsivoglia responsabilità per la riparazione o il ricambio di queste strutture o componenti della piscina del cliente.

Garanzia limitata: due anni

Per ulteriori dettagli: [www.pentairpooleurope.com](http://www.pentairpooleurope.com)

## Esclusione di responsabilità - Informazioni sulla piscina e sulle attrezzature

Ci sono una serie di fattori che contribuiscono alla vita utile di una piscina.

È necessario essere consapevoli del fatto che, nel tempo, il deterioramento, lo scolorimento e la fragilità di qualsiasi finitura di piscina possono essere causati dai seguenti fattori, congiuntamente o singolarmente: età, squilibrio chimico dell'acqua della piscina, installazione non corretta e altri.

Lo stesso vale per le piscine interrate con rivestimento vinilico, poiché anche tale rivestimento è condizionato dall'ambiente e da fattori quali la chimica dell'acqua della piscina, la luce del sole e gli elementi che circondano la piscina stessa. Pertanto, nel tempo il vinile può farsi fragile e debole. Inoltre, le piscine con rivestimento vinilico risentono di lavorazione, composizione e installazione del rivestimento, oltre che di lavorazione e qualità costruttiva delle pareti di supporto e del fondo della piscina. Questi sono tutti fattori che possono contribuire al deterioramento del rivestimento. Il produttore declina qualsivoglia responsabilità per riparazioni o ricambi di queste strutture o componenti della piscina del cliente.

Il proprietario della piscina deve assumersi tutta la responsabilità delle condizioni e della manutenzione della superficie, dell'acqua e dello spazio attorno alla piscina.

Prima di installare il pompa BlueFlo® LITE è opportuno registrarne il numero di serie. Sarà necessario fornire tale numero quando si contatterà il reparto di assistenza tecnica.

N. DI SERIE \_\_\_\_\_

## USO CORRETTO

Il prodotto è progettato per il pompaggio di acqua limpida o leggermente impura per piscine. In caso di uso con altri mezzi o applicazioni, deve essere discusso con il produttore il relativo uso specifico.

Il prodotto deve essere utilizzato solo per gli scopi indicati in queste istruzioni. Una qualsiasi altra forma rientra nell'uso improprio. In questo caso il produttore è sollevato da qualsiasi responsabilità in caso di danneggiamento.

Il prodotto è stato progettato ed assemblato secondo le tecnologie più avanzate ed è del tutto sicuro ed affidabile se utilizzato secondo queste istruzioni d'uso, altro sistema o requisiti di funzionamento.

Tuttavia, l'uso può condurre comunque a pericolo per la vita o per gli arti dell'operatore o di altra persona, o danni al prodotto o altra strumentazione.

In taluni casi sono possibili modifiche al prodotto. In questi casi deve essere chiesto al produttore il previo consenso scritto.

### **Il produttore non accetta responsabilità nei seguenti casi:**

- Mancato rispetto delle informazioni contenute in queste istruzioni d'uso
- Uso di parti di ricambio o di componenti non approvati dal produttore
- Uso improprio
- Rimozione, modifica o disattivazione delle strumentazioni di sicurezza
- Cattiva manutenzione

### **Uso improprio**

Il prodotto, ove utilizzato non correttamente o per il suo reale uso, può creare pericolo.

***La pompa non deve, in alcuna circostanza, essere utilizzata per fluidi aggressivi, per fluidi infiammabili, per fluidi tossici o per altre soluzioni non approvate.***

***Non utilizzare la pompa in presenza di persone in piscina.***

## TRASPORTO / INATTIVITÀ

Il prodotto consegnato deve essere controllato all'arrivo per rilevare eventuali mancanze o danni da trasporto. Saranno accettati solo reclami fatti al vettore o al produttore il giorno della consegna.

Gli involucri devono, se possibile, essere riutilizzati o eliminati ai sensi delle leggi nazionali in vigore.

### **CONSERVAZIONE - INATTIVITÀ**

**⚠ WARNING** Deve essere evitata la conservazione prolungata in ambiente con alto tasso di umidità e temperature variabili. La condensa può danneggiare le parti del motore ed altri componenti metallici. In questo caso la garanzia si considera decaduta.

La pompa può essere danneggiata anche se esposta al gelo, caso in cui la garanzia decade. Non utilizzare anticongelanti, poiché possono danneggiare le parti in plastica.

In caso di possibili gelate la pompa deve essere completamente svuotata dei liquidi. Per farlo, aprire il punto di drenaggio e far uscire l'acqua dalla pompa. È consigliabile, inoltre, rovesciare la pompa per far fuoriuscire eventuale acqua in eccesso dal punto di scarico della pompa. Deve essere svuotato completamente dall'acqua anche il sistema di tubi.

Al momento della reinstallazione della pompa dopo l'inverno o periodi prolungati di inattività, controllare le connessioni della pompa. Aprire le valvole delle linee di aspirazione e di pressione. Chiudere tutte le valvole di drenaggio del sistema e della pompa. Avviare la pompa secondo quanto indicato nella sezione Installazione di questo manuale.

# INSTALLAZIONE

Questa sezione descrive la procedura di installazione e di avvio della pompa. Descrive la corretta procedura operativa e deve essere letta con particolare attenzione.

L'installazione e l'avvio della pompa devono essere effettuate solo da personale autorizzato.

## GENERALE

La pompa dovrebbe essere installata su una superficie di cemento ed avvitata utilizzando i fori presenti sulla base. La pompa deve essere installata in un luogo asciutto. Ove sia installata in luogo umido deve prevedersi adeguata ventilazione per prevenire la formazione di condensa. Per il corretto funzionamento del motore è indispensabile una ventilazione adeguata.

Deve prevedersi uno spazio sufficiente per l'installazione e la manutenzione della pompa. Si osservino le dimensioni della pompa e prevedere, intorno ad essa, almeno 25 cm. di spazio.

La pompa deve essere installata il più vicino possibile alla piscina perché possa funzionare al massimo delle prestazioni. Eseguire l'installazione ai sensi delle leggi in vigore.

Usare di preferenza tubi corti e dritti per evitare perdite dovute a frizione.

## ALIMENTAZIONE

La rete di alimentazione elettrica deve avere le seguenti caratteristiche:

- Presentare una protezione differenziale.
- Avere valori di tensione e frequenza corrispondenti ai valori indicati sulla targhetta dati del motore della macchina.
- Disporre di potenza erogabile non inferiore al valore indicato sulla targhetta dati del motore della macchina.
- Presentare un teleruttore con protezione termica adeguata.
- Presentare un relè termico autocompensato e regolato in base alla corrente reale assorbita.
- Presentare un interruttore sezionatore con fusibili di protezione.
- Avere cavi di sezione sufficiente per la corrente assorbita dal motore.

**⚠ WARNING** Collegamento equipotenziale sufficiente (minimo raccomandato 4.5mm<sup>2</sup>), in conformità alla normativa vigente, è obbligatorio mentre tutti i componenti metallici della piscina, tra cui la pompa della piscina. Ciò è necessario per la sicurezza elettrica, anche per quanto riguarda la riduzione del rischio di corrosione.

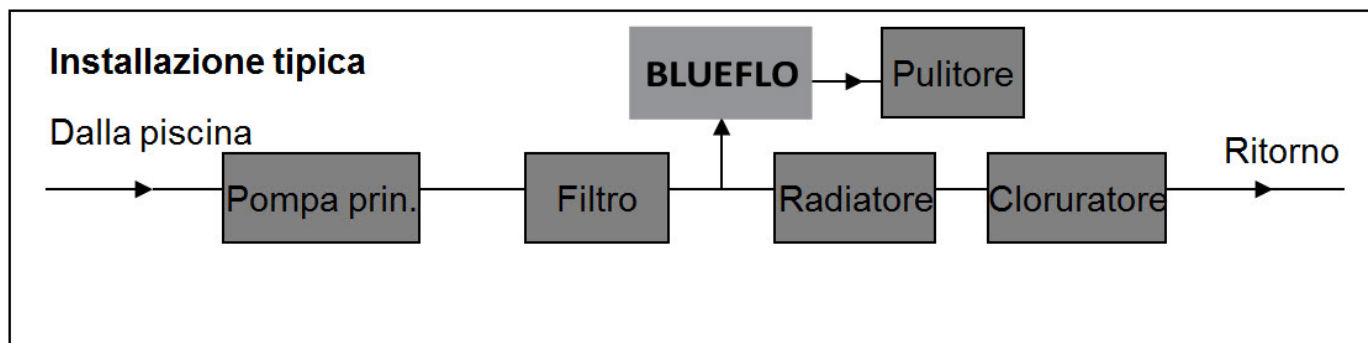
## INSTALLAZIONE

**⚠ DANGER** Tutte le operazioni relative all'installazione devono essere effettuate con l'elettropompa scollegata dalla rete di alimentazione.

**⚠ WARNING** Non installare l'elettropompa in locali dove sono presenti gas e/o materiali infiammabili od esplosivi.

**⚠ DANGER** Le elettropompe sono progettate in modo tale che tutte le parti in movimento sono rese inoffensive tramite l'uso di protezioni. Non usare l'elettropompa con tali protezioni rimosse o danneggiate: possono causare gravi danni alle persone.

**⚠ DANGER** Sulla linea di alimentazione dell'elettropompa deve sempre essere inserito un interruttore automatico differenziale.





## CONNESSIONI DEI TUBI

Assicurarsi che, dopo l'installazione delle connessioni, non vi sia alcuna perdita

Se i tubi di entrata ed uscita sono collegati direttamente alla pompa, utilizzare esclusivamente nastro sigillante Teflon per avere il massimo della tenuta.

Se si utilizzano viti non sigillarle con composti sigillanti. Le viti si sigillano con un anello ad O e non devono essere troppo strette.

Le connessioni in entrata ed in uscita della pompa sono dotate di uno stop. Non forzare i collegamenti oltre quel punto.

**NON stringere troppo i punti di connessione.  
Girare a mano e per non più di due giri completi. Questo dovrebbe bastare per assicurare la tenuta.**

L'installazione dei tubi deve avere origine dalla pompa per evitare stress all'alloggio della pompa, se possibile. Gli accumuli d'aria possono essere evitati installando la linea di aspirazione leggermente inclinata verso la pompa. Alla connessione di aspirazione dovrebbe essere collegato un tubo dritto di almeno 50 cm. di lunghezza.

## COLLEGAMENTI ELETTRICI

I collegamenti elettrici devono essere effettuati da un elettricista autorizzato. Sul sistema elettrico deve essere installato un separatore che permetta lo scollegamento dall'alimentazione dell'acqua con un foro di contatto di almeno 3 mm. per ciascun polo. Il produttore non accetta responsabilità per danni al motore che potrebbero essere evitati con l'installazione di un interruttore esterno di protezione. Per le dimensioni dell'impianto elettrico fare riferimento alla targhetta del motore. In caso contrario tutte le garanzie si considerano decadute in caso di danno al motore e/o alla pompa.

**⚠ WARNING Il prodotto deve essere messo a terra.**

In caso di intervento di tale protezione per surriscaldamento scollegare l'alimentazione e lasciare raffreddare il motore fino al suo ritorno alle temperature ammissibili. Prima del riutilizzo della pompa verificare le cause del surriscaldamento del motore. Accertarsi di utilizzare cavi omologati in accordo alle normative vigenti con tre conduttori di sezione (2+terra) almeno di 0.75 mm<sup>2</sup> per una lunghezza massima di cavo di 2 mt. Se la lunghezza cavo è maggiore la sezione dei conduttori dovrà essere incrementata in maniera adeguata in accordo alle normative vigenti.

## ALLACCIAMENTO ALL'IMPIANTO ELETTRICO

**⚠ DANGER** Sarà cura dell'installatore accertarsi che l'impianto di alimentazione elettrica sia provvisto di un efficiente impianto di terra secondo le vigenti normative.

**⚠ DANGER** Occorre verificare che l'impianto di alimentazione elettrica sia dotato di un interruttore differenziale ad alta sensibilità  $I_{\Delta n} = 30$  mA (EN 61008-1 / EN 61009-1).

**⚠ DANGER** Prima di rimuovere il coperchio della morsettiere del motore e prima di ogni intervento sulla macchina, accertarsi che la linea di alimentazione sia stata sezionata.

### Per allacciare la macchina all'impianto elettrico, eseguire le seguenti operazioni:

- Accertarsi che il motore sia adatto alla tensione di rete.
- Sezionare l'impianto elettrico tramite interruttore sezionatore.
- Accertarsi di utilizzare cavi omologati in accordo alle normative vigenti con tre conduttori di sezione (2+terra) almeno di 0.75 mm<sup>2</sup> per una lunghezza massima di cavo di 2 mt. Se la lunghezza cavo è maggiore la sezione dei conduttori dovrà essere incrementata in maniera adeguata in accordo alle normative vigenti.

### Come conduttore di allacciamento si dovrà utilizzare:

- all'aperto →cavo H07RN-F
- nei vani interni →cavo H05RN-F o H07RN-F.
- Per temperature ambiente da 40° a 50° C utilizzare cavi di alimentazione con caratteristiche di temperatura non inferiore a 95°C e sezione minima dei conduttori di 1.5 mm<sup>2</sup>
- La pompa è dotata di una protezione termoamperometrica a riarmo automatico incorporata nel motore.
- La linea elettrica di alimentazione deve essere dotata di un dispositivo di protezione da corto circuito, un interruttore differenziale RCD (dispositivo di corrente residua) ad alta sensibilità (30mA) e resa sicura con fusibile ritardato o da interruttore magnetotermico.
- La linea elettrica di alimentazione deve essere dotata di un interruttore generale esterno con una distanza di apertura dei contatti seconda la norma locale vigente

Le operazioni di installazione e modifica devono essere effettuate esclusivamente da un elettricista qualificato.

Schema di collegamento / connessione può essere trovato alla fine di questo manuale di istruzioni di cui alla sezione 'DATI TECNICI'

Accertarsi di utilizzare cavi omologati in accordo alle normative vigenti con tre conduttori di sezione (2+terra) almeno di 0.75 mm<sup>2</sup> per una lunghezza massima di cavo di 2 mt. Se la lunghezza cavo è maggiore la sezione dei conduttori dovrà essere incrementata in maniera adeguata in accordo alle normative vigenti.

## FUNZIONAMENTO

Non far girare mai la pompa a secco (senza acqua). Questo causa danni all'albero motore e ai componenti interni in plastica.

### AVVIO DELLA POMPA

In una applicazione di tipo sommerso (pompa sotto il livello dell'acqua o in linea con la pompa principale) la pompa si avvia all'apertura delle valvole poste all'entrata.

In applicazioni non sommerse, la pompa deve essere avviata aggiungendo acqua ai tubi di aspirazione ed alla cavità della pompa.

La pompa inizia a funzionare dopo l'accensione. Il tempo di aspirazione dipende dall'altezza della linea di aspirazione e della sua lunghezza.

Se la pompa non funziona assicurarsi che siano aperte tutte le valvole e che non ci siano perdite nella linea di aspirazione dove potrebbe penetrare aria che impedisce l'accensione.

# MANUTENZIONE

È estremamente importante la manutenzione regolare della pompa, la sua pulizia e la sua ispezione. Questo riduce la possibilità di guasti ed aumenta la sicurezza e l'affidabilità operativa della pompa.

## MANUTENZIONE

La manutenzione del prodotto deve essere eseguita esclusivamente da personale qualificato.

Prima di riavviare la pompa dopo un lungo periodo di inattività o quando la si riattiva in primavera è consigliabile far girare l'albero motore della pompa quando questa è spenta e piena d'acqua utilizzando il rotore del motore ed un cacciavite. Questo svincola il sigillo dell'albero motore e di avviare più facilmente la pompa.

## PARTI DI RICAMBIO

Le parti di ricambio devono essere conformi alle specifiche tecniche del produttore. Questo è garantito in caso di uso di parti di ricambio originali. La nostra garanzia si applica per le parti di ricambio originali che forniamo. Non si accetta responsabilità o garanzia in caso di danni causati dall'uso di parti di ricambio o accessori non autorizzati.



Only for EU countries

Do not dispose of electric tools together with household waste material!

In observance of European Directive 2002/96/EC on waste electrical and electronic equipment and its implementation in accordance with national law, electric tools that have reached the end of their life must be collected separately and returned to an environmentally compatible recycling facility.

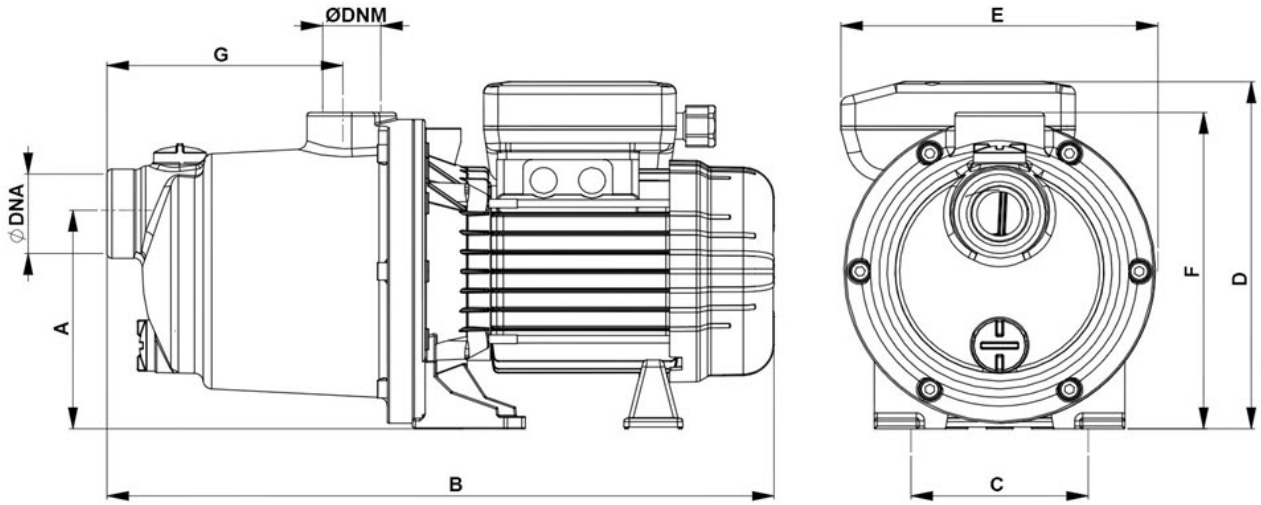
# SOLUZIONE DI PROBLEMI

LA POMPA NON SI AVVIA	Acqua insufficiente nell'alloggio della pompa
	La pompa primaria non invia acqua
	Valvola in entrata chiusa
	Perdita d'aria nella linea di aspirazione
MANCATO AVVIAMENTO DEL MOTORE	Non c'è alimentazione
	Interruzione dell'interruttore di circuito
	La pompa viene spenta dal circuito a tempo
	Errati collegamenti del motore
	Rotore bloccato da detriti
ALTA PRESSIONE FILTRO - FLUSSO BASSA	Filtro sporco
	Restrizione nella linea di ritorno
BASSA PRESSIONE FILTRO - FLUSSO BASSA	Tubi in entrata bloccati
	Rotore bloccato da detriti
	Perdita d'aria nella linea di aspirazione
	Errata rotazione del motore
POMPA RUMOROSA	Perdita d'aria nella linea di aspirazione
	Detriti nei tubi o nell'alloggio della pompa
	Diametro linea di aspirazione insufficiente
	Errata installazione della pompa
	Cavitazione (restrizione dell'acqua)
SURRISCALDAMENTO MOTORE	Ventilazione motore insufficiente
	Misura dei fili troppo piccola





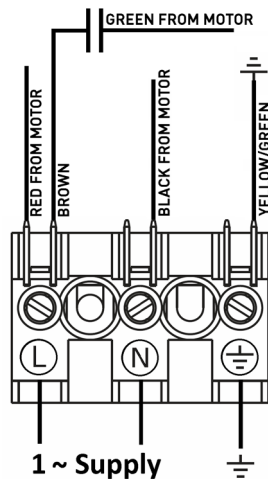
# TECHNICAL DATA - TECHNISCHE DATA - TECHNISCHE DATA FICHE TECHNIQUE - DATOS TÉCNICOS - DATI TECNICI



	Model	Dimensions mm.									Weight
		A	B	C	D	E	F	G	DNA	DNM	Kg
P-BFL-101-L	PUMP BLUEFLO LITE 0.75KW/1P/230V 1" BSP	123	373	99	199	177	182	137	1"	1"	6,9

Max Ambient Temperature	50°C
Max Water Temperature	50°C
Max Salt Concentration in the water	0.4%
pH-range	4-9
Max operating Pressure	7 Bar
Protection Type	IPX5
Insulation Class	F
Revolutions per Minute (RPM)	2850
Sound Level	Sound Pressure level below 70dBA
Voltage	1x230V
Phase	Single Phase
Inlet-Outlet thread	1" BSP

## WIRING



<b>IT</b> Dichiarazione di conformità	<b>P</b> Declaração de conformidade	<b>PL</b> Deklaracja zgodności
<b>EN</b> Declaration of conformity	<b>DK</b> Ef overensstemmelseserklæring	<b>RO</b> Declarație ce de conformitate
<b>FR</b> Déclaration de Conformité	<b>FIN</b> Eu-vaatimusten mukaisuusvakuutus	<b>H</b> Európai unió megfelelési nyilatkozat
<b>DE</b> Konformitätserklärung	<b>N</b> Samsvarserklæring	<b>CZ</b> Prohlášení es o shodě
<b>E</b> Declaración de conformidad	<b>S</b> Tillkännagivande om eu-överensstämmelse	<b>TR</b> At uygunluk bildirisi
<b>NL</b> Conformiteitsverklaring	<b>GR</b> Δήλωση προσαρμoγης εκ	<b>RUS</b> Декларация о соответствии ес

IT - Direttive - Norme armonizzate  
 EN - Directives - Harmonised standards  
 FR - Directives - Normes harmonisées  
 DE - Richtlinien - Harmonisierte Normen  
 E - Directivas - Normas armonizadas  
 NL - Richtlijnen - Geharmoniseerde normen

P - Directivas - Normas armonizadas  
 DK - Direktiver - Harmoniserede standarder  
 FIN - Direktiivit - Harmonisoidut standardit  
 N - Direktiver - harmoniserte standarder  
 S - Harmoniserade direktiv/standarder  
 GR - Οδηγίες - Εναρμονισμένα πρότυπα

PL - Dyrektywy - Normy zharmonizowane  
 RO - Directive - Standarde armonizate  
 H - Irányelvek - Harmonizált szabványok  
 CZ - Směrnice - harmonizované normy  
 TR - Direktifler - Uyumlaştırılmış standartlar  
 RUS - Директивы - гармонизированные нормы

**2006/42/EC (MD)**

**EN 60335-1:2012/AC:2014, EN ISO 12100:2010**

**2014/30/EU (EMC)**

**EN 61000-6-3:2007/A1:2011, EN 61000-6-1:2007, EN 61000-6-4:2007/  
 A1:2011, EN 61000-6-2:2005, EN 55014-1:2006/A2:2011**

**2000/14/EC (ND)**

**EN ISO 20361:2009**

Pentair International Sarl - Avenue de Sévelin 18 - 1004 Lausanne - Suisse

IT - Noi dichiariamo sotto la nostra esclusiva responsabilità che il prodotto è conforme alle direttive citate.  
 EN - We hereby declare, under our sole responsibility, that the product is in accordance with the specified Directives.  
 FR - Nous déclarons sous notre propre responsabilité que le produit répond aux directives.  
 DE - Wir erklären in alleiniger Verantwortung, dass das Produkt den aufgeführten Richtlinien entspricht.  
 ES - Por la presente declaramos bajo nuestra responsabilidad exclusiva que el producto es conforme con las Directivas citadas.  
 NL - Wij verklaren geheel onder eigen verantwoordelijkheid dat het product voldoet aan de gestelde richtlijnen.  
 P - Declaramos sob a nossa exclusiva responsabilidade que o produto é conforme com as directrizes citadas.  
 DK - Vi erklærer hermed, som eneste ansvarlige, at produktet er i overensstemmelse med de anførte Direktiver.  
 FIN - Vakuutamme yksinomaisella vastuullamme, että tuote on osoitettujen direktiivien mukainen.  
 N - Vi erklærer med dette, under vårt hele og fulle ansvar, at produktet samsvarer med de spesifiserte direktivene.  
 S - Vi försäkrar under eget ansvar att produkten är i överensstämmelse med nämnda direktiv.  
 GR - Με αποκλειστική ευθύνη δηλώνουμε ότι το προϊόν συμμορφώνεται με τις αναφερόμενες οδηγίες.  
 PL - Z pełną odpowiedzialnością oświadczamy, że produkt odpowiada postanowieniom wymienionych dyrektyw.  
 RO - Noi declarăm pe propria noastră răspundere că produsul este conform cu directivele menționate.  
 H - Kizárólagos felelősségvállalással kijelentjük, hogy a termék megfelel a megnevezett irányelveknek.  
 CZ - Prohlášíme na svou vlastní výhradní odpovědnost, že tento výrobek vyhovuje požadavkům uvedených směrnic.  
 TR - Ürünün ilgili direktiflere uygunluğunu, bu konuda sorumluluğun yalnızca tarafımızca ait olduğuna beyan ederiz.  
 RUS - Заявляем под свою исключительную ответственность, что продукция соответствует указанным директивам

## BLUEFLO P-BFL-101-L

IT Altri documenti normativi EN Other normative documents FR Autres documents normatifs DE Weitere normative Dokumente E Otros documentos normativos NL Overige normatieve documenten P Outros documentos normativos DK Andre normative dokumenter FIN Muut normatiiviset asiakirjat N Andre normative dokumenter S Övriga standardiserande dokument GR Άλλα κανονιστικά έγγραφα PL Pozostała dokumentacja normatywna RO Alte documente normative H Egyéb normatív dokumentumok CZ Další normativní dokumenty TR Standartlarla ilgili diğer belgeler RUS Прочие нормативные документы:

**EN 60335-2-41:2003/A2:2010**

IT Persona abilitata per la documentazione tecnica EN Authorized person for technical documentation FR Personne autorisée à la documentation technique DE Bevollmächtigter für technische Dokumentation E Persona habilitada para la documentación técnica NL Bevoegd persoon voor technische documentatie P Pessoa habilitada para a documentação técnica DK Person autoriseret til udarbejdelse af den tekniske dokumentation FIN Teknisten asiakirjojen laadintaan valtuutettu henkilö N Person kvalifisert for teknisk dokumentasjon S Person som är behörig att ställa samman den tekniska dokumentationen GR Αρμόδιος καταρτισμένος σχετικό με την τεχνική τεκμηρίωση PL Osoba upoważniona do sporządzenia dokumentacji technicznej RO Persoana autorizată pentru documentația tehnică H A műszaki dokumentáció elkészítésére jogosult személy CZ Osoba odborně způsobilá ke zpracování technické dokumentace TR Teknik dokümentasyon konusunda yetkili kişi RUS Лицо, имеющее право на составление технической документации:

Pentair International S.a.r.l.  
 Avenue de Sevelin, 18  
 1004 Lausanne, Switzerland

Lausanne, 08-09-2016



Guillaume Goussé  
 European Operations Vice President

**SAVE THESE INSTRUCTIONS !**



PENTAIR AQUATIC SYSTEMS

INDUSTRIEPARK WOLFSTEE, TOEKOMSTLAAN 30, 2200 HERENTALS - BELGIUM, [WWW.PENTAIRPOOLEUROPE.COM](http://WWW.PENTAIRPOOLEUROPE.COM)

Copyright – Limited License: except as specifically permitted herein, no portion of the content on this document may be reproduced in any form or by any mean without the prior written permission of Pentair International SRL.

Copyright – Eingeschränkte Lizenz: soweit hierin nicht ausdrücklich zugelassen, dürfen die Inhalte dieses Dokuments ohne vorausgehende schriftliche Genehmigung der Pentair International SRL weder ganz noch auszugsweise und in gleich welcher Form und mit welchen Mitteln vervielfältigt werden.

Copyright – Beperkte licentie: behalve zoals hierin specifiek toegestaan, mag geen enkel deel van de inhoud van dit document op om het even welke manier of hoe dan ook gereproduceerd worden zonder de voorafgaande schriftelijke toestemming van Pentair International SRL.

Copyright – Licence limitée: sauf expressément autorisé ci-après, aucune partie du contenu de ce document ne peut être reproduite sous toute forme ou par tout moyen sans la permission écrite préalable de Pentair International SRL.

Copyright – Licencia limitada: salvo en lo expresamente permitido en el presente documento, se prohíbe la reproducción total o parcial del mismo por cualquier medio sin la previa autorización por escrito de Pentair International SRL.

Copyright – Licenza limitata: se non indicato specificatamente di seguito, nessuna porzione del contenuto di questo documento può essere riprodotta in qualsiasi forma o con qualsiasi mezzo senza preventiva autorizzazione scritta di Pentair International SRL.