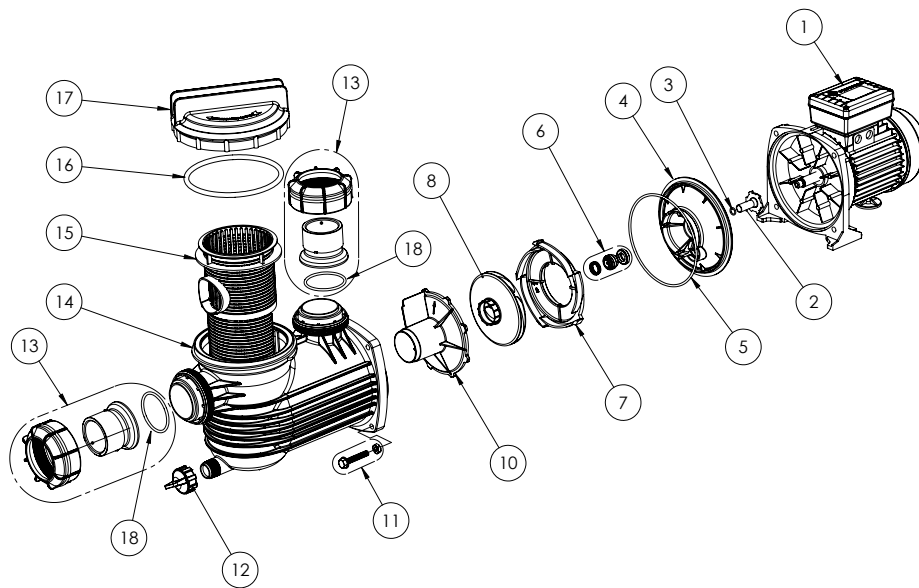


# Exploded views - Pantera™



## Pantera™ Replacement parts

No.	Part No.	Description	Part No. Includes
1**	N/A	Motor	1
2	R604000	Shaft Sleeve (0,18KW -> 0,75KW)	1
	R505070	Shaft Sleeve (1,00KW -> 1,50KW)	1
3	R111P0960	O-Ring (0,18KW -> 0,75KW)	1
	R702218	O-Ring (1,00KW -> 1,50KW)	1
4	R731S2380	Seal Plate (0,18KW -> 0,75KW)	1
	R305300	Seal Plate (1,00KW -> 1,50KW)	1
5	R111P0970	O-Ring	1
6	R111P0910	Mechanical Seal (0,18KW -> 0,75KW)	1
	R700270	Mechanical Seal (1,00KW -> 1,50KW)	1
7	R303460	Diffuser	1
8	R731SA220	Impeller 0,18KW Mono Phase	1
	R731SA210	Impeller 0,25KW Mono Phase	1
	R731S3090	Impeller 0,37KW Mono & Tri Phase	1
	R504593	Impeller 0,50KW Mono & Tri Phase	1
	R504820	Impeller 0,75KW Mono & Tri Phase	1
	R506820	Impeller 1,13KW Mono Phase	1
	R731S2680	Impeller 1,13KW Tri Phase	1
	R507650	Impeller 1,50KW Mono Phase	1
	R731S2690	Impeller 1,50KW Tri Phase	1
9	R373376081	(not shown) Impeller Lock Screw (1,13 -> 1,50KW)	1
10	R101P6420	Separator Plate (0,18KW -> 0,75KW)	1
	R408730	Separator Plate (1,0 --> 1,5kW)	1
11	RHWSWIM	Hardware Kit	4
12	R504605	Drain Cap and O-Ring	1
13	R505426	Union Kit Slip Fit 50mm	2
	R505427	Union Kit Slip Fit 1-1/2"	2
14	R801200C	Pump Body (including 12, 15, 16, 17)	1
15	R302310	Basket	1
16	R702208	O-Ring	1
17	R404293	Lid	1
18	R111P1070	O-Ring	2

\* PART NUMBER INCLUDES REQUIRED QUANTITY PER PRODUCT

\*\* SEE MOTOR SHEET FOR MOTOR SPARE PARTS