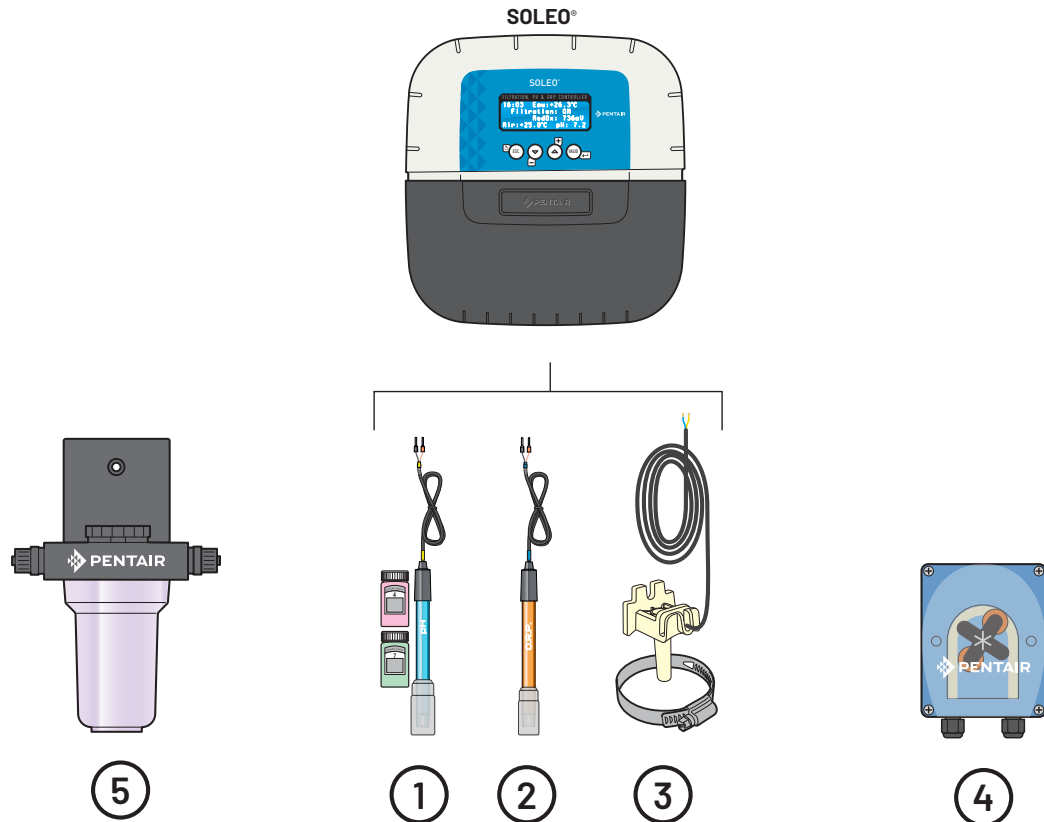


# Exploded views - Soleo®

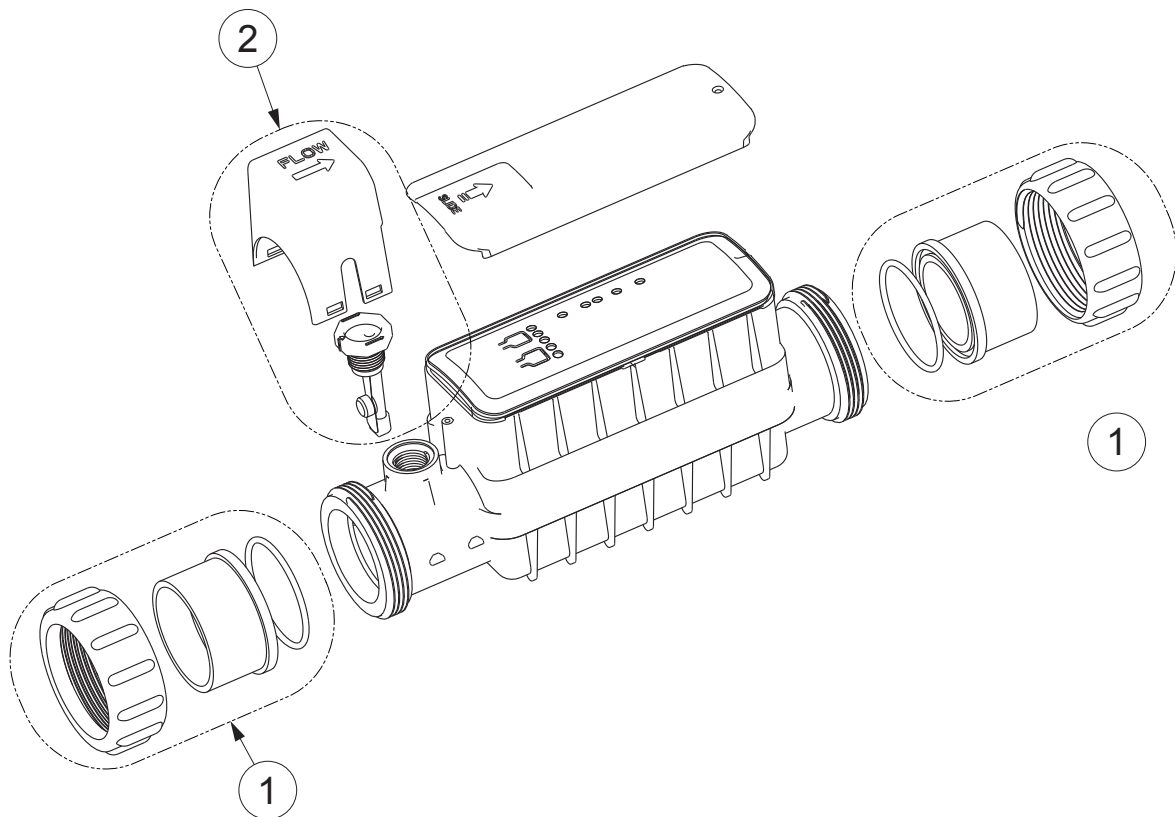
## 1. SOLEO®



## Spare parts

| No. | Part No.       | Description                 | Quantity |
|-----|----------------|-----------------------------|----------|
| 1   | INTP-5210      | pH Probe & Sol pH4/pH7      | 1        |
| 2   | INTP-5220      | ORP Redox Probe             | 1        |
| 3   | SB-PD-PRO-004B | Temperature Sensor          | 1        |
| 4   | INTP-DOS-2     | Peristaltic Dosing pump KIT | 1        |
| 5   | INTP-HOLD-2    | Probe Holder KIT            | 1        |

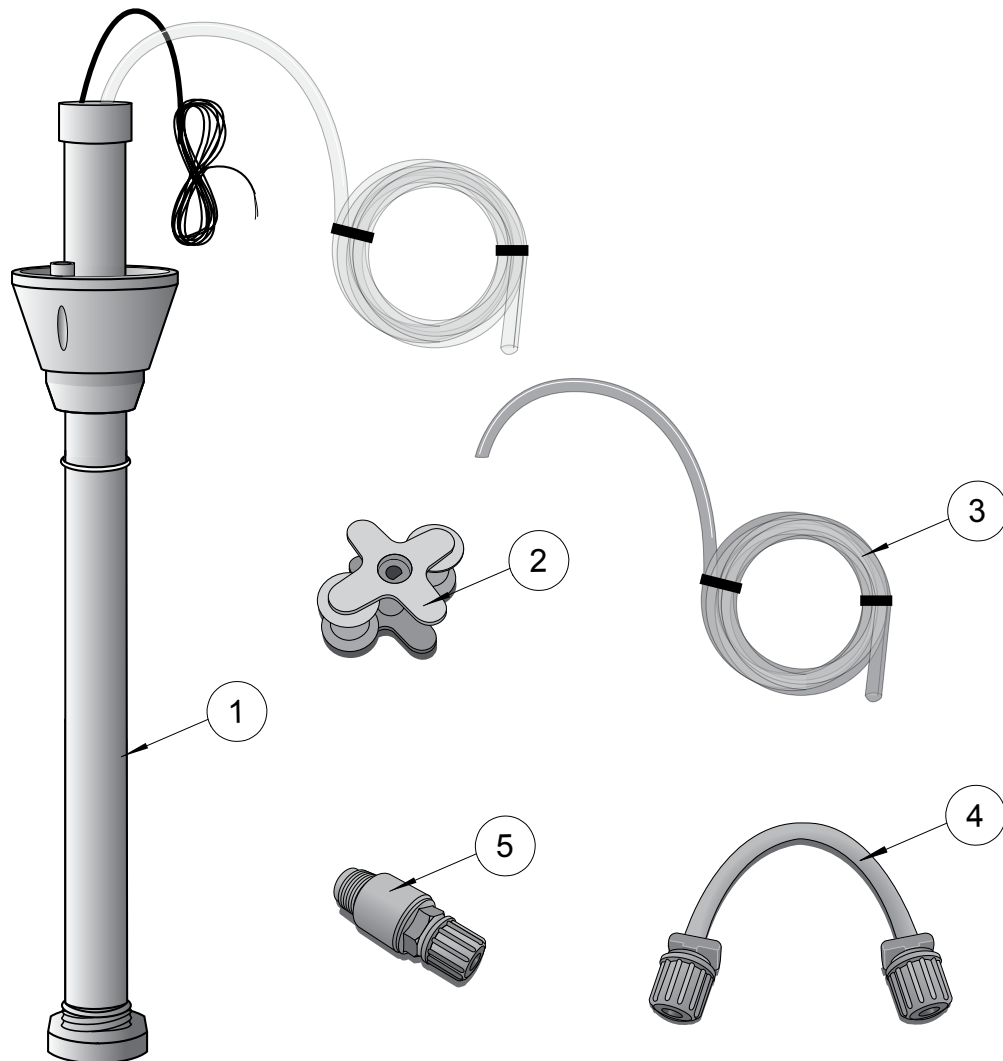
## 2. INTELLICHLOR



### Spare parts

| No.              | Part No.  | Description   | Part No. Includes |
|------------------|-----------|---|-------------------|
| 1                | H-52-0595 | Replacement Union Set   | 2                 |
| 2                | 520736    | Flow Switch replacement kit   | 1                 |
| <b>Not Shown</b> |           |   |                   |
|                  | H-52-0881 | Replacement Cell IC20   |                   |
|                  | H-52-0882 | Replacement Cell IC40   |                   |
|                  | H-52-0883 | IC20 & IC40 Transfo   |                   |
|                  | H-52-0884 | Spacer Cell (for start-up or winterization)                                 |                   |
|                  | 520670    | "Acid Washing Kit<br>(incl. Closed end union cap, o-ring and coupling nut)" |                   |
|                  | 521147    | Gasket Kit - Set of 10 o-rings  |                   |
|                  | H-52-0594 | Diagnostic Wand   |                   |

### 3. PERISTALTIC DOSING PUMP

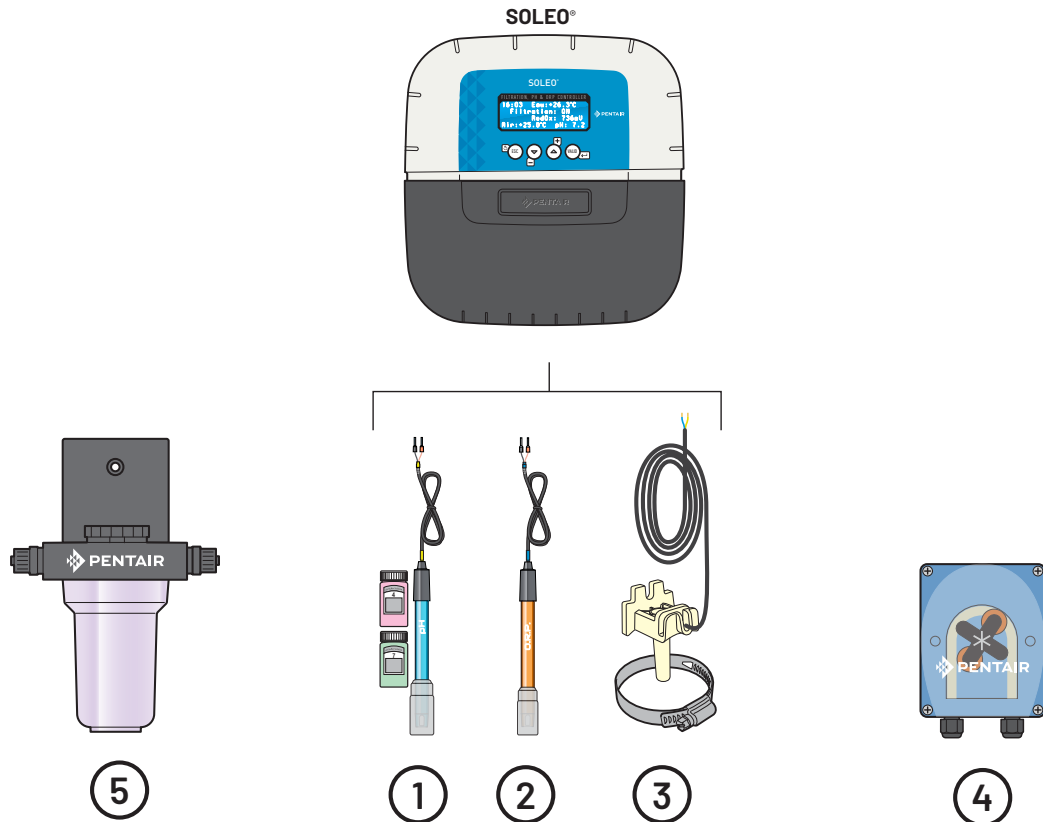


### Spare parts

| No. | Part No.    | Description                          | Quantity |
|-----|-------------|--------------------------------------|----------|
| 1   | H-D-PLUNGER | Suction Plunger with level control   | 1        |
| 2   | RDROLL      | Roll holder                          | 1        |
| 3   | RDPETUBE    | Tube PE 4m.                          | 1        |
| 4   | RDTUBSAN    | Tubing Santo 3x7 with 4x6 connection | 1        |
| 5   | RDVLV1      | Injection Valve                      | 1        |

# Exploded views - Soleo VS<sup>®</sup>

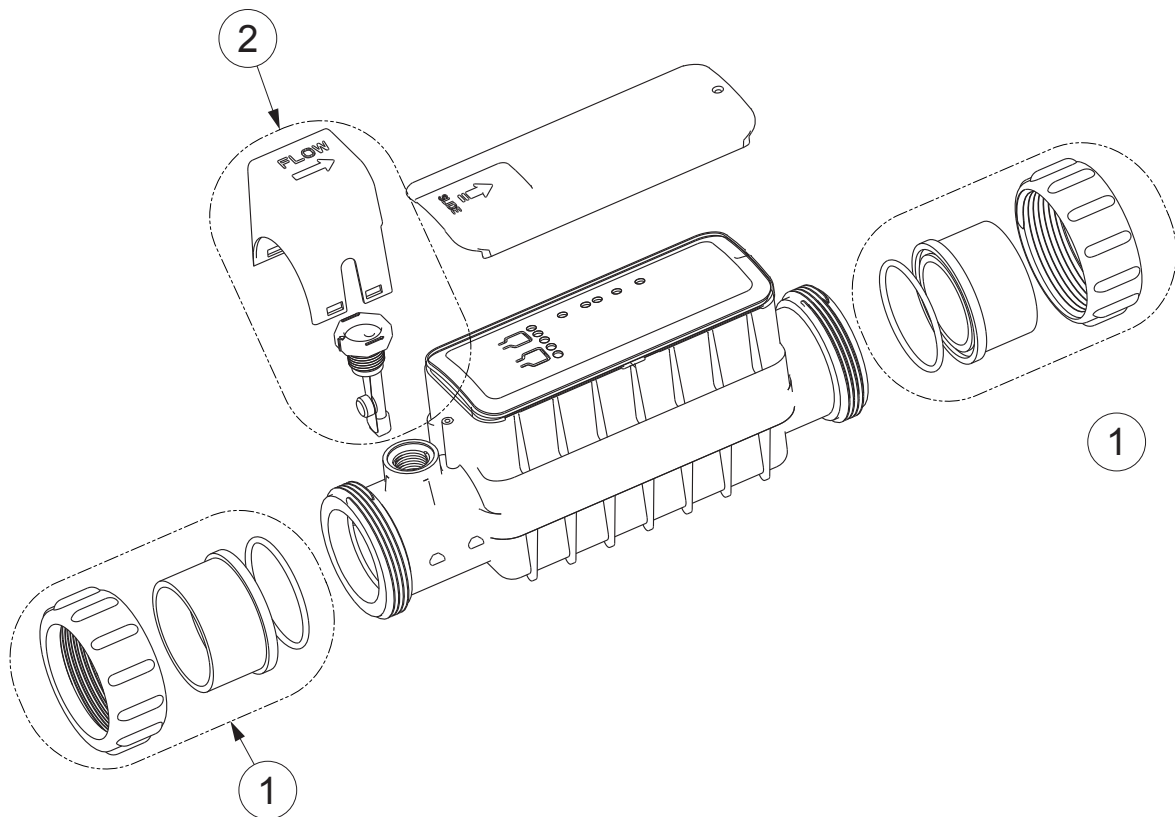
## 1. SOLEO<sup>®</sup>



## Spare parts

| No. | Part No.       | Description                 | Quantity |
|-----|----------------|-----------------------------|----------|
| 1   | INTP-5210      | pH Probe & Sol pH4/pH7      | 1        |
| 2   | INTP-5220      | ORP Redox Probe             | 1        |
| 3   | SB-PD-PRO-004B | Temperature Sensor          | 1        |
| 4   | INTP-DOS-2     | Peristaltic Dosing pump KIT | 1        |
| 5   | INTP-HOLD-2    | Probe Holder KIT            | 1        |

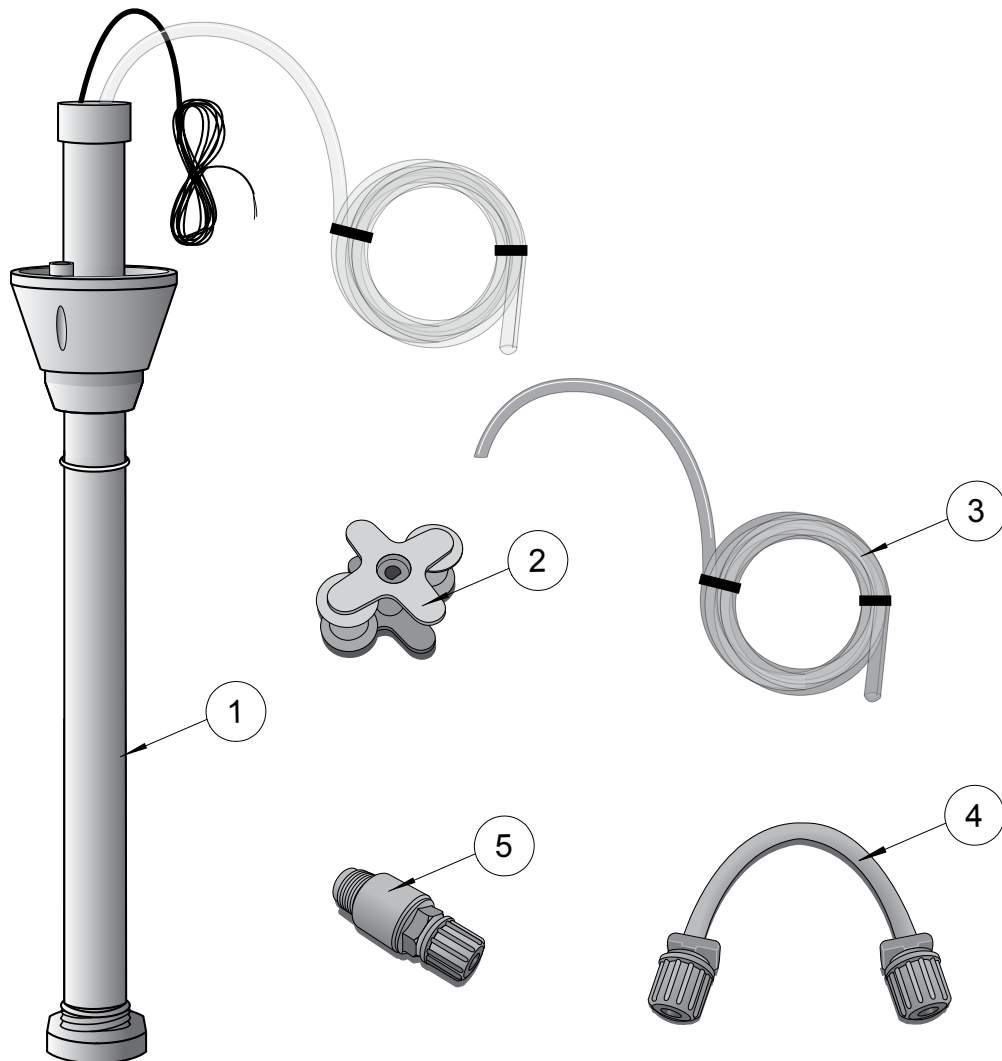
## 2. INTELLICHLOR



### Spare parts

| No.              | Part No.  | Description   | Part No. Includes |
|------------------|-----------|---|-------------------|
| 1                | H-52-0595 | Replacement Union Set   | 2                 |
| 2                | 520736    | Flow Switch replacement kit   | 1                 |
| <b>Not Shown</b> |           |   |                   |
|                  | H-52-0881 | Replacement Cell IC20   |                   |
|                  | H-52-0882 | Replacement Cell IC40   |                   |
|                  | H-52-0883 | IC20 & IC40 Transfo   |                   |
|                  | H-52-0884 | Spacer Cell (for start-up or winterization)                                 |                   |
|                  | 520670    | "Acid Washing Kit<br>(incl. Closed end union cap, o-ring and coupling nut)" |                   |
|                  | 521147    | Gasket Kit - Set of 10 o-rings  |                   |
|                  | H-52-0594 | Diagnostic Wand   |                   |

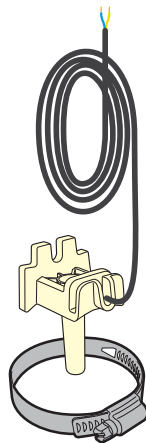
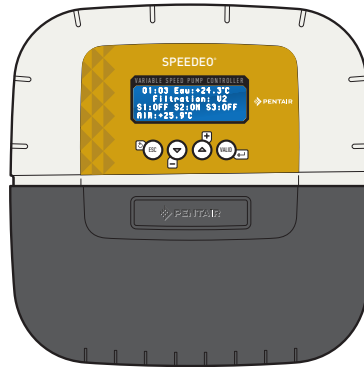
### 3. PERISTALTIC DOSING PUMP



### Spare parts

| No. | Part No.    | Description                          | Quantity |
|-----|-------------|--------------------------------------|----------|
| 1   | H-D-PLUNGER | Suction Plunger with level control   | 1        |
| 2   | RDROLL      | Roll holder                          | 1        |
| 3   | RDPE TUBE   | Tube PE 4m.                          | 1        |
| 4   | RDTUBSAN    | Tubing Santo 3x7 with 4x6 connection | 1        |
| 5   | RDVLV1      | Injection Valve                      | 1        |

## 4. SPEEDEO



1

## Spare parts

| No. | Part No.       | Description        | Part No. Includes* |
|-----|----------------|--------------------|--------------------|
| 1   | SB-PD-PRO-004B | Temperature Sensor | 1                  |