



MASTERTEMP®

HIGH PERFORMANCE HEATER

Simply the fastest way to heat your pool and spa





NO MATTER WHAT YOUR CRITERIA FOR TOP PERFORMANCE AND VALUE ARE, THE **MASTERTEMP[®]** HIGH PERFORMANCE HEATER MEETS THEM ALL.

FAST, EFFICIENT, COMPACT, QUIET, SAFE AND ECO-FRIENDLY

No matter what you're seeking in your swimming pool heater, the MasterTemp heater measures up. Compare this list of features to any other and you'll see why MasterTemp heaters are setting a new standard for total value.

- Very compact design for such a high performance heater, allows for smaller overall equipment pads that won't intrude on your poolscape.
- A fully pre-mixed system with a highly efficient air and gas mixture lets the MasterTemp heater heat up fast. No long waits before enjoying your pool or spa.
- Compare energy efficiency ratings and you'll find MasterTemp heaters at the top of the list. Comfort and economy can go together.
- MasterTemp heaters are engineered for super-quiet operation and won't intrude on your poolside leisure time.
- The easy-to-view, rotating digital display places controls front and center, no matter how the MasterTemp heater is positioned on your equipment pad.
- With a hot surface ignition (no pilot light) and pushbutton, digital controls, the MasterTemp heater is as easy to operate as your home heating system. Plus, user-friendly indicator lights make system operation and monitoring a snap.
- A tough, rustproof composite exterior handles the heat and weathers the elements.
- Safe operation through a series of features, including: a water pressure switch that senses the pump is running to prevent overheating, high limit switches assure the heater turns off if water temperature exceeds factory-set limits, manual gas shut-off when service is required, stack flue sensor also guards against overheating.
- Eco-friendly, the MasterTemp heater is certified for low NO_x emissions and outperforms industry standards.
- Approved for installation on combustible surfaces.
- All MasterTemp models offer 82% thermal efficiency - the highest in its class.

Don't be left out in the cold with heaters that don't measure up to today's longer list of must-have features. Insist on MasterTemp heaters and you're insisting on better performance and lifetime value.



The MasterTemp[®] heater has earned the Eco Select[®] brand, indicating it is one of our "greenest" and most efficient equipment choices.



MASTERTEMP®

HIGH PERFORMANCE HEATER

Rotating digital display means more installation options and easier access to view operating information.

Very compact design. Easy to install or retrofit in even the tightest space.

Rustproof, tough composite exterior for long life.

HD models feature a copper nickel heat exchanger.

Available in natural gas and propane models.

The MasterTemp heater's easy-to-read controls make system operation and monitoring simple. Pool and spa temperatures can be pre-set and controlled with the push of a button. A digital display indicates the water temperature, five LED lights give you your system status and let you know if the heater needs service.



POOL SIZING

Model	125 / 125HD	200HD	300HD	400HD
Net Firing Rate (kW/hr)	33	53	79	100
Pool Size (1000 Liters / 1000 Imp. Gal.)	Temp gain / 6hrs of use			
27 / 6	5,2 °C	8,3 °C	12,4 °C	15,7 °C
48 / 211	2,9 °C	4,7 °C	7,0 °C	8,8 °C
75 / 16	1,9 °C	3,0 °C	4,5 °C	5,6 °C
126 / 28	1,1 °C	1,8 °C	2,7 °C	3,4 °C
172 / 38		1,3 °C	1,9 °C	2,5 °C
224 / 49		1,0 °C	1,5 °C	1,9 °C
324 / 71			1,0 °C	1,3 °C
400 / 88				1,1 °C

SPA SIZING

Model	125 / 125HD	200HD	300HD	400HD
Net Firing Rate (kW/hr)	33	53	79	100
Spa Size (Liters / Imp. Gal.)	Minutes for 15°C Temperature Rise			
750 / 165	19	12	8	6
1000 / 220	26	16	11	9
1500 / 330	39	24	16	13
2000 / 440	52	32	22	17
2500 / 550	65	40	27	21
3000 / 660	78	49	33	26
4000 / 880	104	65	43	34
5000 / 1100	130	81	54	43

Note: The chart is based on a 15°C temperature rise, discounting losses and only based on heat required to raise temperature in minutes. Two-year limited warranty. See warranty for details.

CE marking according gas appliance directive 2009/142 CE

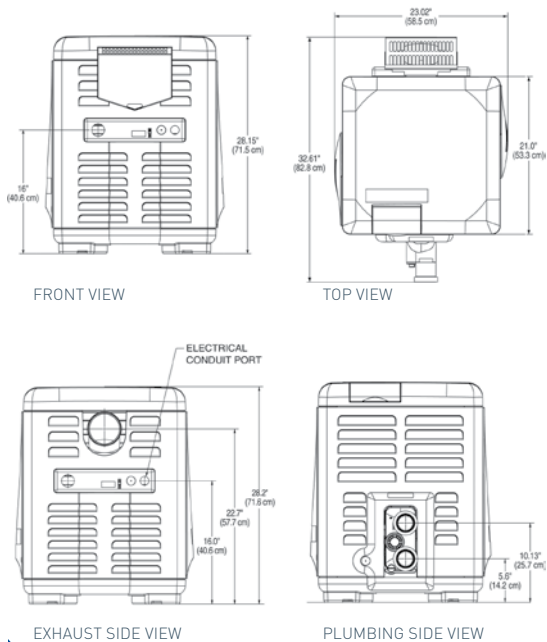
MASTERTEMP®

HIGH PERFORMANCE HEATER

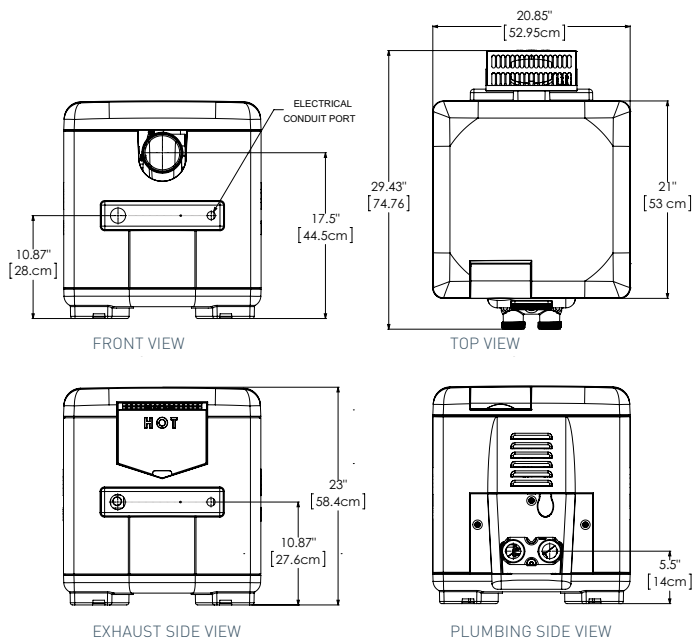
ORDERING INFORMATION

Part No.	Description	Gas Type	Weight LBS (kg)	Overall Dimensions inch (cm)			Firing rate			
							GROSS		NET	
				L	W	H	BTU/hr	kW/hr	BTU/hr	kW/hr
461078	MasterTemp 125, Nat.	Natural	100 (45)	30 (75)	21 (53)	23 (59)	125.000	37	113.000	33
461079	MasterTemp 125, Pro.	Propane								
460902	MasterTemp 125HD, Nat.	Natural	125 (58)	33 (59)	23 (58)	28 (72)	200.000	59	180.000	53
460903	MasterTemp 125HD, Pro.	Propane								
461082	MasterTemp 200HD, Nat.	Natural	136 (62)	33 (59)	23 (58)	28 (72)	300.000	88	270.000	79
461083	MasterTemp 200HD, Pro.	Propane								
461086	MasterTemp 300HD, Nat.	Natural	136 (62)	33 (59)	23 (58)	28 (72)	400.000	117	340.000	100
461087	MasterTemp 300HD, Pro.	Propane								
461090	MasterTemp 400HD, Nat.	Natural								
461091	MasterTemp 400HD, Pro.	Propane								

MASTERTEMP 200HD / 300HD / 400HD



MASTERTEMP 125 / 125HD



AVAILABLE FROM:

Customer support:

T 0032 14 25 99 11
 F 0032 14 25 99 25
 poolemea@pentair .com
 www.pentairpooleurope.com

Copyright - Limited License: except as specifically permitted herein, no portion of the content on this document may be reproduced in any form or by any mean without the prior written permission of Pentair International SRL

Automation / Filters / Filter Systems / Pumps / Heat Pumps / Cleaners / White Goods / Lighting / Sanitizers / Salt Chlorinators / Dosing and Measuring Equipment / Maintenance Accessories / Water Features

NVA - BR - MAS - EN © 2012 Pentair International SRL. All Rights Reserved. Rev. 03-2015.

