



ULTRATEMP[®]-E

HIGH PERFORMANCE HEAT PUMP

Simply the most economical way to heat your pool and spa





HIGH CLASS PERFORMANCE AND EFFICIENCY. ENVIRONMENTALLY SUPERIOR. MORE STANDARD FEATURES THAN ANY OTHER.

Why should you choose an UltraTemp®-E heat pump? That's easy. It offers the longest list of standard features available.

- The UltraTemp-E heat pump provides an AutoSet™ Temperature Control feature as standard. It monitors water temperature and turns the pump on and off as needed, overriding the time clock to maintain desired temperature. It's the ultimate in convenient, hands-free comfort control.
- The UltraTemp-E 15 heat pump features the legendary DAIKIN Scroll® Compressor that's more efficient, durable, reliable and quieter than any piston-driven compressor. It's the best of the best.
- Pentair heat pumps used the EPA-recognized, environmentally safe, non-ozone depleting R-410A refrigerant. This has allowed the UltraTemp-E heat pump to be awarded the Eco Select® Brand for environmental responsibility.
- 100% titanium heat exchanger assures corrosion-free performance for extra long life and value.
- Easy to use, multi language LCD control board displays an intuitive, menu-driven readout with easy to follow, full word messages—no codes to memorize.
- Self-diagnostic software continuously monitors system for peak performance.
- Automatic defrost feature senses refrigerant temperature and helps prevent the UltraTemp-E heat pump from freezing, allowing the heat pump to operate at temperatures as low as -3°C.
- Perfect companion to IntelliPool® Automation Systems—using RS485 communication, IntelliPool® can not only operate and monitor UltraTemp®-E remotely, in case of alarms these will be sent to the IntelliPool® and ultimately an e-mail notification can be configured.
- CE compliance, performance and efficiency independently certified by TÜV Rheinland.
- Pool/Spa function enables easy dual temperature control.
- Long-life corrosion resistant plastic panels.
- Corrosion resistant "blue fin" evaporator.
- After service available with hotline number and possibility of on site intervention.
- Silent.

Clearly, a heat pump is the best choice for pool heating. Also clear is the best-in-class performance and value of the fully-featured UltraTemp-E heat pump. Contact your pool professional today to learn which model is right for your pool.



The UltraTemp-E heat pump has earned the Eco Select brand, indicating it is one of our "greenest" and most efficient equipment choices.

AUTOMATIC HEATING/COOLING FEATURE!

Pentair H/C model heat pumps are equipped to automatically heat or cool your pool water based on temperatures you set. Select the AUTO mode and the intelligent thermostat will automatically command the heat pump to heat or cool the water to your selected temperature

Digital controls with dual thermostats offer precise temperature control for pool/spa combinations and avoid overheating and energy waste

Self-diagnostic controls monitor and troubleshoot heat pump operations to ensure safer, dependable operation

Long-life, corrosion-resistant composite cabinet retains a like-new appearance for years

50mm plumbing connections for easy installation



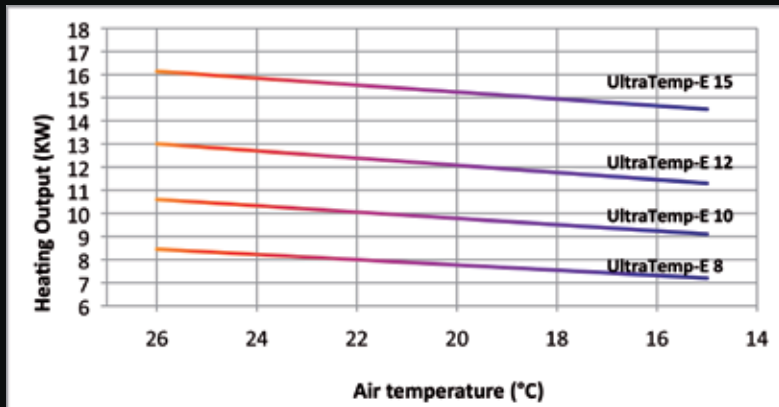
COMPARING THE COST TO HEAT YOUR POOL AND SPA

ENERGY CALCULATION	2012 COST €	UNIT	kWh PER €1
ELECTRIC	0,2100	kW	5
OIL	0,8920	liter	9
NATURAL GAS	0,0570	kW	15
ULTRATEMP-E	0,2100	kW	28

This chart illustrates how an UltraTemp-E heat pump generates 2.75 to 5.8 times more heat for the same cost. Costs are based on national average fuel costs and efficiencies (Source: Federal Register). Please consult your local provider for current pricing.

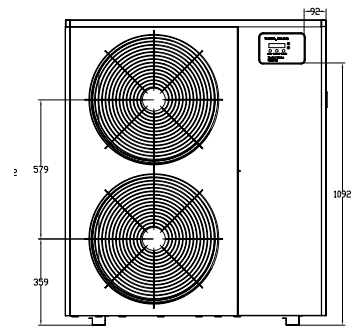
ULTRATEMP®-E

HIGH PERFORMANCE HEAT PUMP



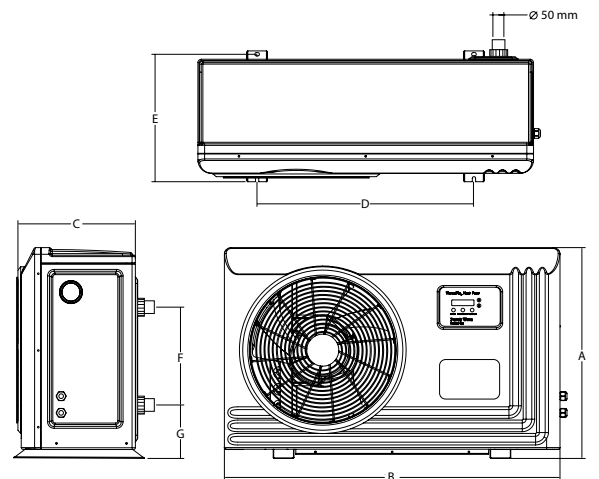
ORDERING INFORMATION

Model	Description	Heating Power (W) / COP		Min Flow (m3/hr)	Breaker size (amp)	Volt	Phase	Freq (Hz)
		15°air/26°water*	26°air/26°water*					
460990	UltraTemp®-E 8	7200 / 4,7	8450 / 5,2	4	16	220-240	1	50
460991	UltraTemp®-E 10	9100 / 4,8	10600 / 5,1	5	16	220-240	1	50
460992	UltraTemp®-E 12	11300 / 4,9	13010 / 5,3	5	20	220-240	1	50
460993	UltraTemp®-E 15	14500 / 4,8	16140 / 5,2	5	25	220-240	1	50
460994	UltraTemp®-E 20	21250 / 4,7	24010 / 2,5	6	10	380	3	50
460995	UltraTemp®-E 25	24300 / 4,6	27210 / 5,1	7	12	380	3	50



Model	Description	A	B	C	D	E	F	G
		mm	mm	mm	mm	mm	mm	mm
460990	UltraTemp®-E 8	632	1006	352	650	372	300	111
460991	UltraTemp®-E 10	632	1006	352	650	372	300	111
460992	UltraTemp®-E 12	762	1025	413	640	422	420	106
460993	UltraTemp®-E 15	762	1025	413	640	422	420	106
460994	UltraTemp®-E 20	1260	1090	400	810	412	500	122
460995	UltraTemp®-E 25	1260	1090	400	810	412	550	122

* at 70% relative humidity



Customer support :

T 0032 14 25 99 11
 F 0032 14 25 99 25
 poolemea@pentair .com
 www.pentairpooleurope.com

AVAILABLE FROM:

Copyright - Limited License: except as specifically permitted herein, no portion of the content on this document may be reproduced in any form or by any mean without the prior written permission of Pentair International SRL

Automation / Filters / Filter Systems / Pumps / Heat Pumps / Cleaners / White Goods / Lighting / Sanitizers / Salt Chlorinators / Dosing and Measuring Equipment / Maintenance Accessories / Water Features

NVA - BR - ULT - EN © 2013 Pentair International SRL. All Rights Reserved. Rev. 03-2015.

